



GA 207



GA 210/211



SL 207/208



FE 203



SL 204



L 198

quality and prestige



price list



GA 210/211



Price List 2011

125 cc - 250 cc Motor

INDEX :	PAGE
ENGINES CURRENTLY IN PRODUCTION	PAG. 2
GA 210/211 - GA 207 - SL 204	PAG. 3 - PAG. 15
SL 207/208 TAG	PAG. 16 - PAG. 31
F 196	PAG. 32 - PAG. 41
L198 - L198E	PAG. 42 - PAG. 57
FE 203 250cc	PAG. 58 - PAG. 67
RADIATORS	PAG. 68 - PAG. 70
IGNITION SL 207.208 TAG	PAG. 31
SPEED GEAR GA210/211 - GA207 - SL204	PAG. 10 - PAG. 11
SPEED GEAR F196	PAG. 39 - PAG. 40
SPEED GEAR L198/L198E	PAG. 50 - PAG. 56
SPECIAL SPEED GEAR	PAG. 54 - PAG. 55
SPEED GEAR FE 203 250cc	PAG. 65 - PAG. 66
OTHER PARTS	PAG. 71 - PAG. 72

Severi Racing Kart & C. Srl

Via Musso, 35 - 41053 Maranello (Mo) - Italy

Tel 0536/94.02.34 - Fax 0536/94.40.95

Web : www.sgm-engines.com

E-mail : info@sgm-engines.com

E-mail : severi.sgm@tiscalinet.it



GA210/211 (Mod.2011) Reed Valve Motor 125cc Mod. CIK FIA

Race Ready Complete :
Motor Mounting
Carburettor VHSB
Expansion Chamber
Silencer (homologated)
Price €
3.900,00



GA207.207 (Mod.2009) Reed Valve Motor 125cc Mod. CIK FIA

Race Ready Complete :
Motor Mounting
Carburettor VHSB
Expansion Chamber
Silencer (homologated)
Price €
3.700,00



SL207.208 (Mod.TAG) Reed Valve Motor 125cc Complete

Race Ready Complete :
Motor Mounting
Carburettor VHSB
Fuel pump
Expansion Chamber with silencer
Standard Radiator
Water Pump
AirBox
Starter Engine
Complete Cdi Unit PVL 16000 giri/min
Price €
2.940,00



SL204.204 (Mod. 2006) Reed Valve Motor 125cc Mod. CIK FIA

Race Ready Complete :
Motor Mounting
Carburettor VHSB
Expansion Chamber
Silencer (homologated)
Price €
3.600,00



L198.198 (Mod. 2006) Reed Valve Motor 125cc Mod. CIK FIA

Race Ready Complete :
Motor Mounting
Carburettor VHSB
Expansion Chamber
Silencer (homologated)
Price €
3.000,00



FE203 250 CC 2T 2 Cylinder Motor Mod. CIK FIA

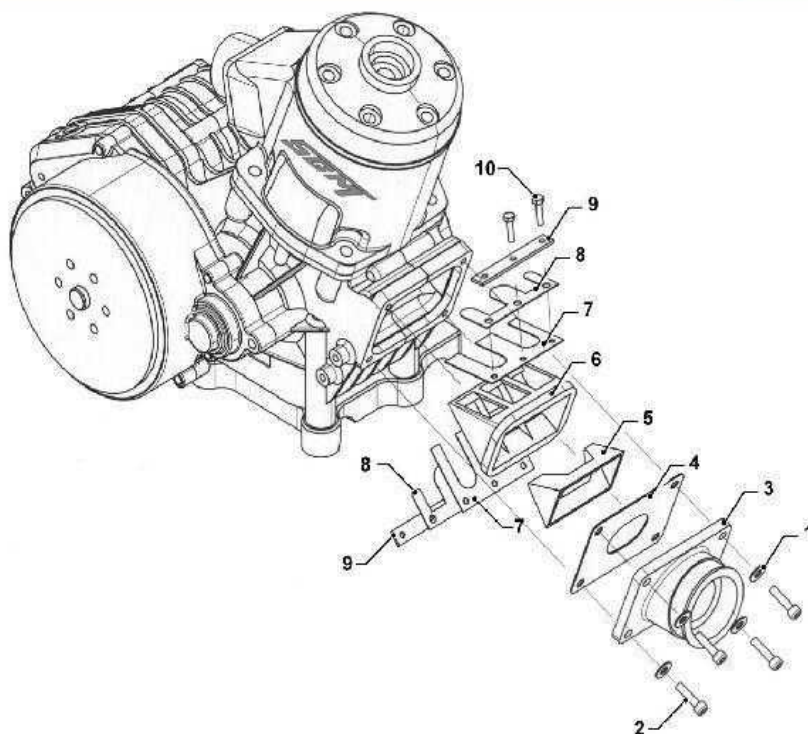
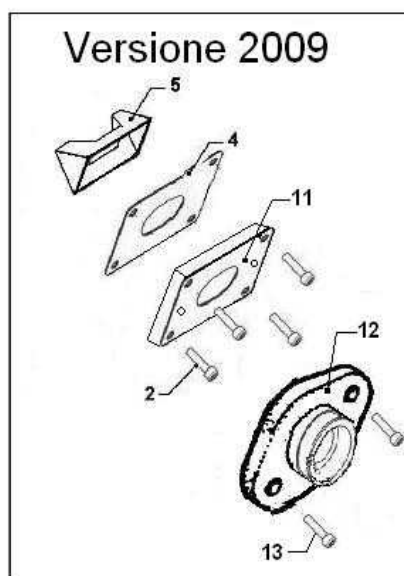
Race Ready Complete :
Motor Mounting
Carburettor VHSB
Expansion Chamber
Silencer (homologated)
Price €
10.000,00



SEVERI RACING KART & C. S.r.l.
 Via Musso, 35
 41053 Maranello (MO) - Italy
 Tel 0536/940234 - Fax 0536/944095
 E-mail: severi.sgm@tiscalinet.it
 E-mail: info@sgm-engines.com
www.sgm-engines.com

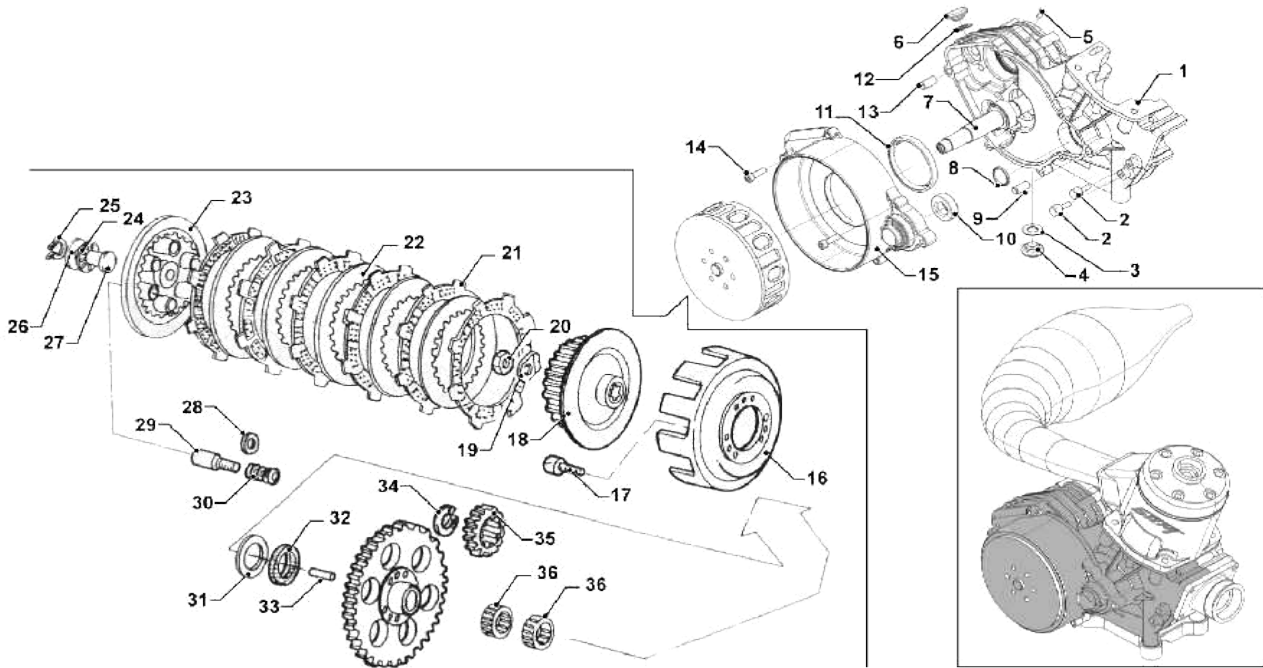
SL204 125 cc REED VALVE

FACTORY	SEVERI RACING KART & C. S.r.l.
TRADE - MARK	SGM
MODEL	SL 204
BORE	54,08
STROKE	54,40
MAX CIL.	124,96
CYLINDER COOLING SYSTEM	WATER
CASING COOLING SYSTEM	WATER
INTAKE SYSTEM	REED VALVE
CYLINDER NR.	1
TRANSFER DUCTS, CYLINDER/SUMP NR	5 x CYLINDER
EXHAUST PORTS/DUCTS NR	3 x CYLINDER
CYLINDER MATERIAL	ALUMINIUM ALLOY + NICASIL
CONNECTING ROD	NR. 1 Long 113
NR PISTONS	1
IGNITION	PVL
NR. CARBURETTORS	1 CARBURETTOR 30VHSH
GEAR BOX	6 DRIVE



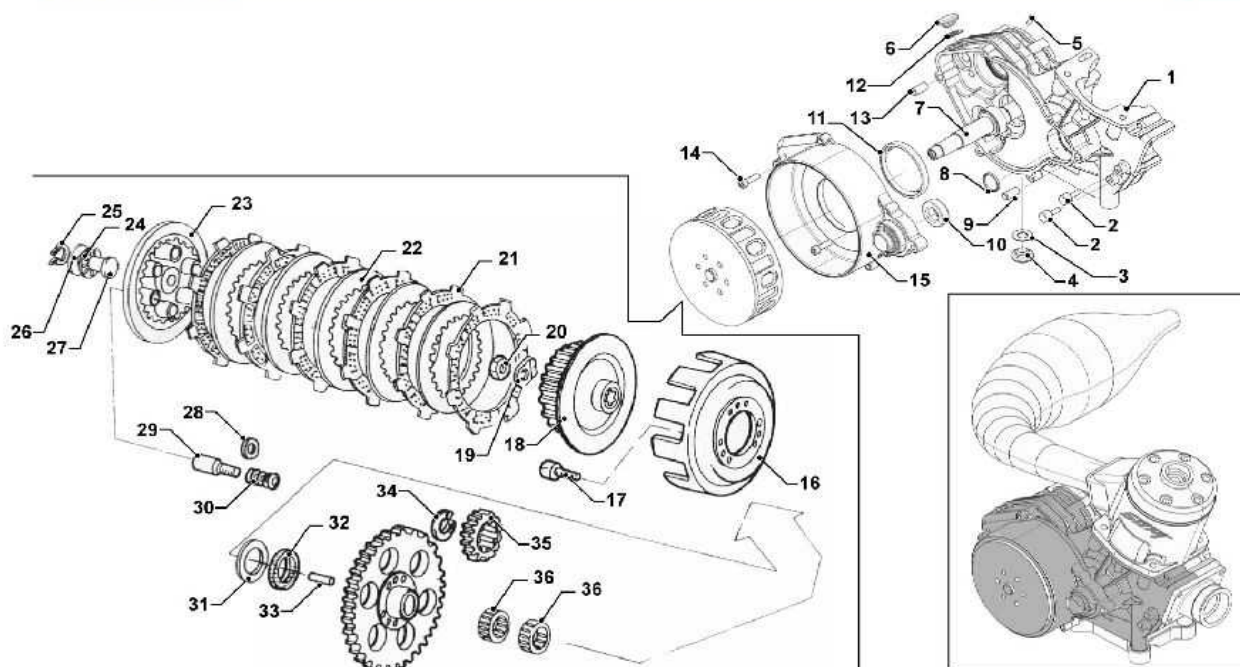
SL204.204 REED VALVE MOTOR 125cc

n°	Code	Description	Qty.	Price €
1	F196.566	Coil Mounting Washer M6x12	4	0,25
2	L198.954	Intake Manifold Allen Bolt 6x20	4	0,54
3	L198.613	Inlet Rubber (Reed Valve)	1	69,59
4	L198.021	Reed Valve Gasket (Inlet Rubber Gasket)	1	3,31
5	L198.020	Reed Valve Duct	1	46,04
6	L198.007	Reed Valve Complete (Without duct)	1	139,85
7	L198.022	Reed Valve Petal (Standard)	2	21,00
7	L198.004	Reed Valve Petal (Carbon fibre)	2	39,40
8	L198.024	Reed Valve Leaf Spring std	2	11,90
8	L198.025	Reed Valve Leaf Spring Carbon fibre	2	20,63
9	L198.023	Petal Stopper	2	5,63
10	L198.650	Reed Valve Screw M 3x36	6	0,47
11	GA207.026	Inserto Alluminio Collettore Aspir. 2009	1	63,20
12	F196.613	Inlet Rubber (Rotary Valve)	1	37,22
13	F196.954	Inlet Rubber Screw M8x16 Rotary Valve	2	0,64
	F196.717	Carburettor Hose Clamp	1	2,99



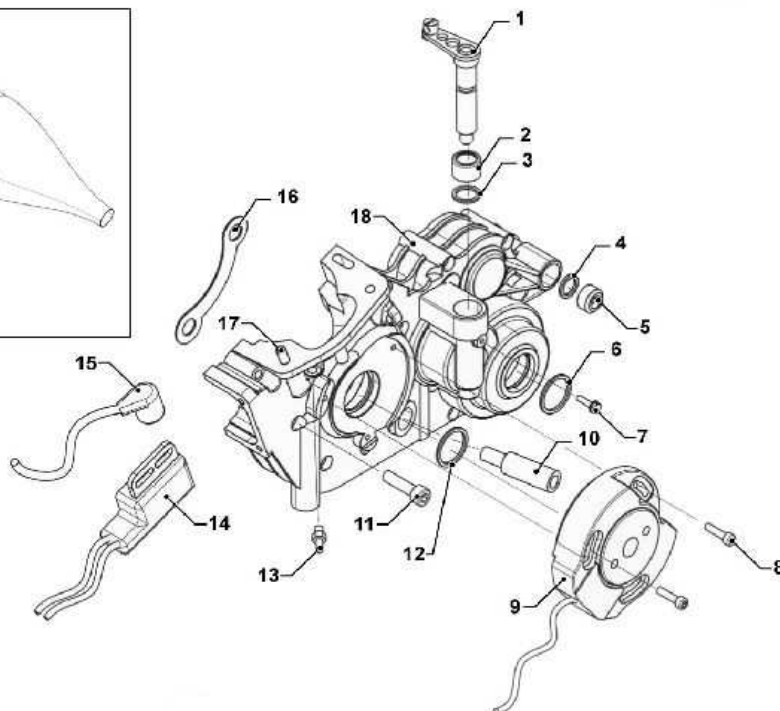
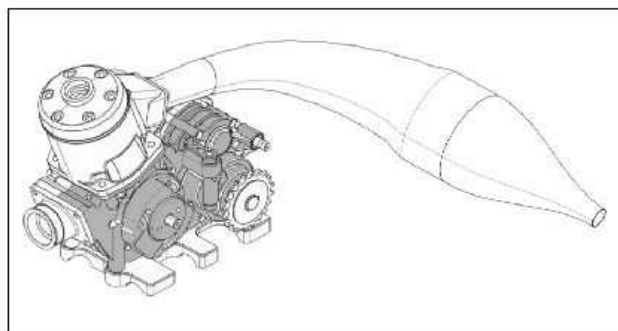
SL204.204 REED VALVE MOTOR 125cc

n°	Code	Description	Qty.	Price €
1	SL204.001	Crankcase, Clutch Side, Reed Valve, SL204 2004	1	396,17
1	SL204.001/05	Crankcase, Clutch Side, Reed Valve, SL204 2005	1	404,66
1	GA207.2	Crankcase, Reed Valve GA207, Clutch Side	1	441,90
	SL204.001/002	Crankcase (2 pieces), Reed Valve, SL204 2004	1	792,35
	SL204.001/002-05	Crankcase (2 pieces), Reed Valve, SL204 2005	1	809,32
	GA207.1/2	Crankcase (2 pieces), Reed Valve GA207	1	883,80
2	F196.557	Coil Mounting Silentbloc	2	12,58
3	F196.562	Drain Plug Washer	1	0,48
4	F196.549	Gearbox Drain Plug (Magnetized)	1	10,90
5	F196.953	Pulse Pump Adaptor	1	6,09
6	SL204.540	Oil Plug SL204	1	2,72
7	F196.001	Input (Primary) Shaft (Z14)	1	100,00
8	F196.712	Crankshaft Oil Seal, Clutch Side, 20/35/7	1	17,22
8	SL204.753	Oil Seal, Crankshaft, Clutch Side, 25/38/7	1	18,55
8	SL204.20325	Crankshaft Oil Seal, Clutch Side, 20/32/5	1	8,91
9	F196.131	Crankcase Dowel 14x9	3	1,69
10	SL204.6002	Crankshaft Bearing 6002 New Reed Valve	1	16,21
11	SL204.110	Clutch Casing Oil Seal 55/68/8	1	9,94
12	F196.562	Drain Plug Washer	1	0,48
13	F196.131	Crankcase Dowel 14x9	1	1,69
14	SL204.948	Clutch Casing Screw M 6x15	4	0,54
14	F196.962	Clutch Case Allen Bolt 6x20	2	0,54
14	SL204.950	Clutch Casing Screw M6x28	2	0,54
15	SL204.003	Clutch Casing New Reed Valve	1	148,29
15	SL204.003/05	Clutch Casing New Reed Valve Mod. 2005	1	159,99
16	F196.200/E	Clutch Drum (CNC Machined)	1	160,90
16	GA207.200/2009	Clutch Drum (CNC Machined) GA207 (Small)	1	184,03
16	GA2010.200	Clutch Drum GA 2010 (Small With O.ring)	1	198,00
	GA2010.711	Clutch Drum O.Ring (89,69x5,34)	1	3,00
17	F196.962	Clutch Gear Screw M6x20	6	0,54
18	F196.201/E	Clutch Centre Hub (CNC Machined)	1	143,00
18	GA207.201/2009	Clutch Centre Hub (Drum) GA207/GA210/211 (Small)	1	144,00



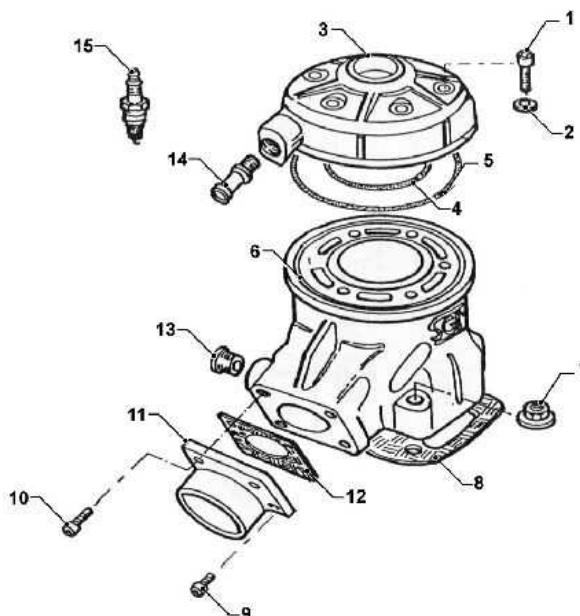
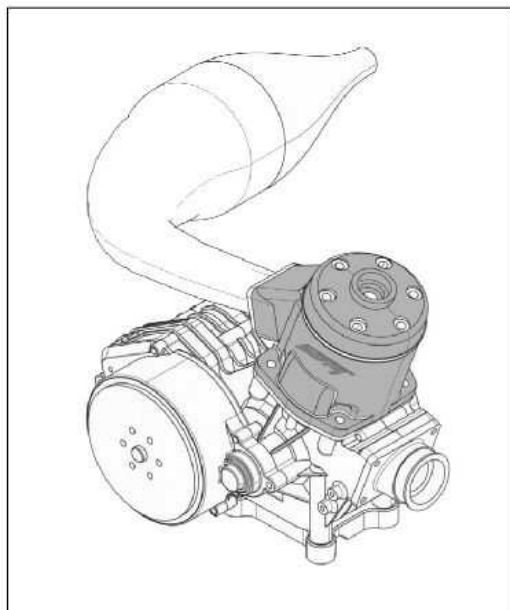
SL204.204 REED VALVE MOTOR 125cc

n°	Code	Description	Qty.	Price €
19	F196.960	Clutch Locktab	1	1,41
20	F196.771	Clutch Nut M14x1.00	1	4,91
21	F196.109	Clutch Friction Plate	6	9,05
21	GA207.109	Clutch Friction Plate GA207/GA2010 (Small)	6	9,05
22	F196.108	Plain Clutch Plate (Aluminium)	5	8,02
22	GA207.108	Plain Clutch Plate (Aluminium) GA207/GA2010 (Small)	5	8,02
22	F196.108T	Clutch Plate, Ergal, Treated	5	12,50
22	GA207.108T	Plain Clutch Plate (Aluminium) Prepared GA207/GA2010 (Small)	5	12,50
22	F196.769	Plain Clutch Plate (Steel)	5	8,02
22	GA207.769	Plain Clutch Plate (Steel) Mod. 2009	5	8,02
23	F196.202/E	Clutch Pressure Plate (CNC Machined)	1	112,00
23	GA207.202/2009	Clutch Pressure Plate (CNC Machined) GA207/GA2010 (Small)	1	129,00
24	SL204.515	Clutch Release Pad Thrust Bearing 10/24/2	1	7,19
25	F196.764	Clutch Release Pad Circlip 10 dia.	1	0,16
26	F196.762(10)	Clutch Release Pad Washer 10/24/2	3	8,27
27	F196.806	Clutch Release Pad 10/25/15	1	14,55
28	F196.773	Clutch Spring Washer	5	3,93
29	F196.772	Clutch Spring Screw M5x35	5	1,77
30	F196.105	Clutch Spring	5	3,50
31	F196.959	Final Drive Thrust Washer 17/30/3	1	4,50
32	F196.753	Clutch Gear Oil Seal 20/28/4	1	8,65
33	SL204.805	Clutch Push Rod 6x25 (hardering)	3	2,98
34	F196.716	Front Sprocket Circlip 19 dia (Pull Chain)	2	0,41
34	SL204.520	Clutch Gear Circlip 28 Dia.	1	0,58
35	SL204.017	Primary Drive Gear Z18(Z67) New Reed Valve	1	74,90
35	GA207.017	Primary Drive Gear Z18(Z66) 2009	1	74,90
36	SL204.752	Clutch Gear Needle Bearing 20/28/13	2	18,45
37	SL204.016	Clutch Gear Z67(Z18) New Reed Valve	1	225,65
37	GA207.016	Clutch Gear Z66(Z18) 2009	1	225,65



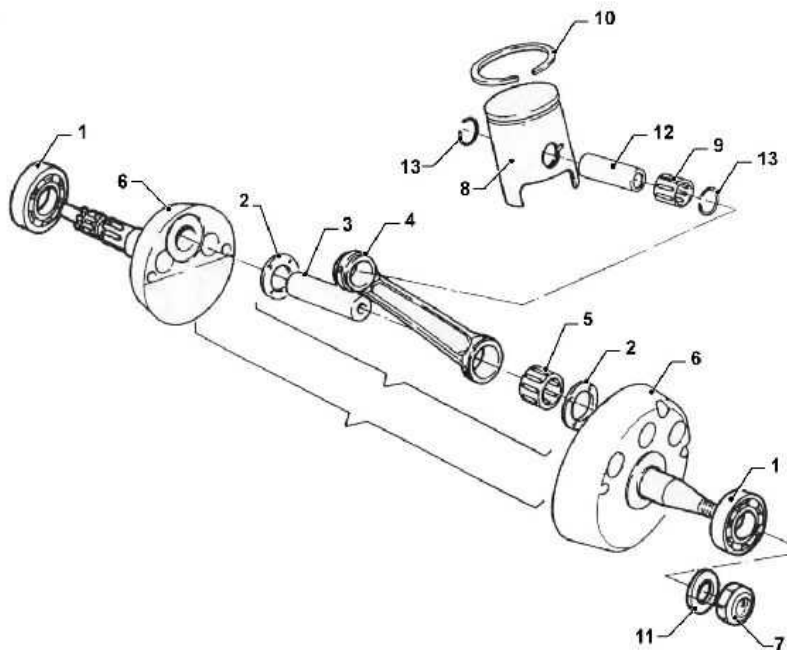
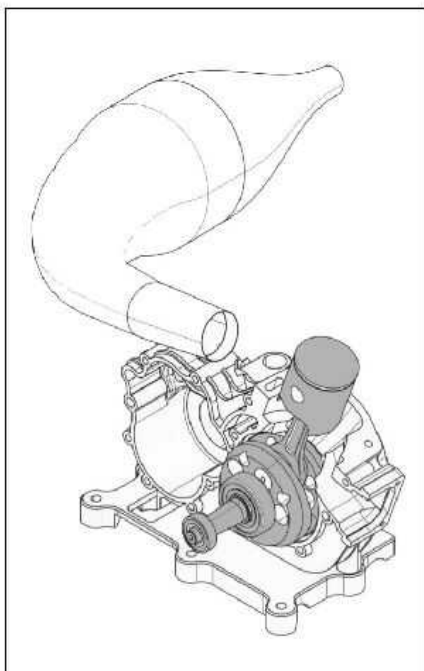
SL204.204 REED VALVE MOTOR 125cc

n°	Code	Description	Qty.	Price €
1	F196.760	Clutch Actuating Lever	1	51,45
2	SL204.765	Clutch Actuating Lever Bearing 14/12	1	12,25
3	SL204.759	Gear Change Lever Oil Seal 14/20/3	1	6,43
4	SL204.758	Gear Change Lever Oil Seal 12/18/3	1	5,26
5	SL204.766	Gear Actuating Lever Bearing 12/12	1	6,83
6	F196.739	Output (Secondary) Shaft Oil seal 30/20/5	1	8,91
7	F196.564	Gear Change Shaft Adjust Screw M6x25	1	0,37
8	F196.721	Ignition Stator Screw M5x35	2	0,54
8	F196.756	Ignition Stator Screw M5x25	1	0,54
9	F196.300	Ignition PVL (Complete)	1	253,70
10	F196.615	Water Hose Fitting (Short)	1	8,27
11	F196.978	Crankcase Screw M6x55	4	0,54
11	F196.950	Clutch Casing Screw M6x35	1	0,54
11	F196.957	Crankcase Screw M6x50	9	0,54
12	F196.712	Crankshaft Oil Seal Ignition Side 20/35/7	1	17,22
13	F196.953	Pulse Pump Adaptor	1	6,09
14	F196.302	Ignition Coil (PVL)	1	85,38
15	F196.801	Standard Plug Cap	1	15,50
15	GA207.802	Special Plug Cap	1	100,00
16	F196.718	Earth Strap	1	4,87
17	F196.726	Crankcase/Cylinder Stud	4	2,98
18	SL204.002	Crankcase, Ignition Side, Reed Valve, SL204 2004	1	396,17
18	SL204.002/05	Crankcase, Ignition Side, Reed Valve, SL204 2005	1	404,66
18	GA207.1	Crankcase, Reed Valve GA207, Ignition Side	1	441,90
	SL204.001/002	Crankcase (2 pieces), Reed Valve, SL204 2004	2	792,35
	SL204.001/002-05	Crankcase (2 pieces), Reed Valve, SL204 2005	2	809,32
	GA207.1/2	Crankcase (2 pieces), Reed Valve GA207	1	883,80



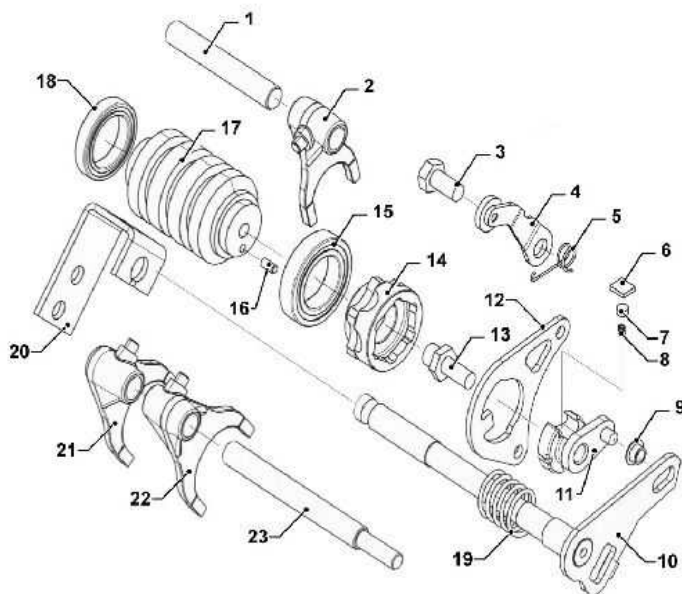
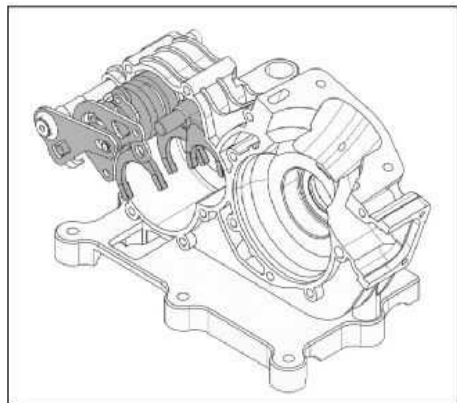
SL204.204 REED VALVE MOTOR 125cc

n°	Code	Description	Qty.	Price €
1	F196.731	Cylinder Head Screw M8x40	6	2,86
2	F196.732	Cylinder Head Washer	6	0,36
3	F196.800A	Cylinder Head With Aluminium Insert (F196/L198)	1	196,58
3	SL204.800A	Cylinder Head SL 204 Type 2005 Allum. Insert	1	196,58
3	GA207.800A	Cylinder Head GA207 Ergal Insert	1	200,66
	SL204.800IA	Aluminium Cylinder Head Insert SL 204 Type 2005	1	53,40
	GA207.800IA	Ergal Cylinder Head Insert GA207	1	55,50
4	F196.734	Cylinder O Ring 2237/2257 Internal	1	3,52
5	F196.735	Cylinder O Ring 2400 External	1	3,39
6	SL204.100	Cylinder SL 204 New Reed Valve	1	760,00
6	SL204.100Sp	Cylinder SL 204 New Reed Valve (Prepared)	1	900,00
6	GA207.100	Cylinder GA207	1	860,00
6	GA207.100Sp	Cylinder, Reed Valve, Special, GA207	1	970,00
7	F196.733	Cylinder Base Nut	4	3,11
8	F196.020-010	Cylinder Base Gasket 0.1mm	1	1,50
8	F196.020-020	Cylinder Base Gasket 0.2mm	1	1,50
8	F196.020-030	Cylinder Base Gasket 0.3mm	1	1,50
8	F196.020-040	Cylinder Base Gasket 0.4mm	1	2,00
8	F196.020-050	Cylinder Base Gasket 0.5mm	1	2,00
10	F196.736	Exhaust Manifold Screw M6x16	4	0,54
11	SL204.504	Exhaust Manifold SL 204	1	35,25
12	F196.502	Exhaust Manifold Gasket	1	2,30
13	SL204.305	Cylinder Water Cap	1	3,75
14	F196.615	Water Hose Fitting (Short)	2	8,27
15	CAND.B	Spark Plug Bosch	1	9,35
15	CAND.CHAMP53	Spark Plug Champion 53	1	17,20
15	CAND.CHAMP	Spark Plug Champion C53Vc	1	62,62
15	NGK105C	Spark Plug NGK 105 Short	1	95,37
15	GA207.801	Spark Plug Denso	1	64,95
15	NGKB10EG	Spark Plug NGK B10EG	1	9,35



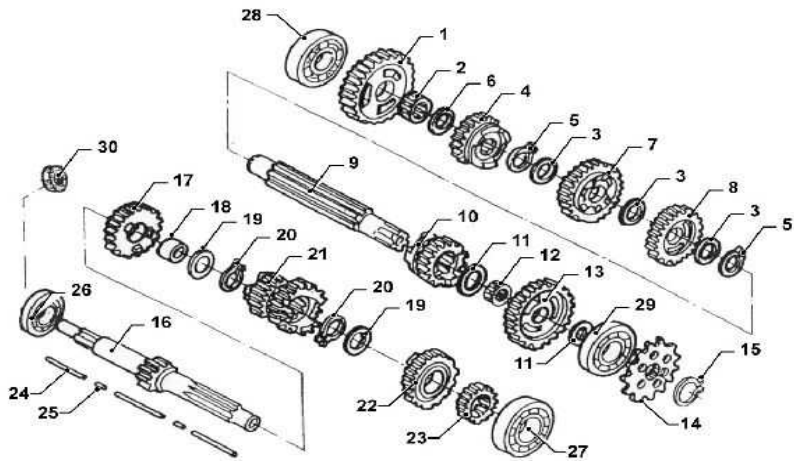
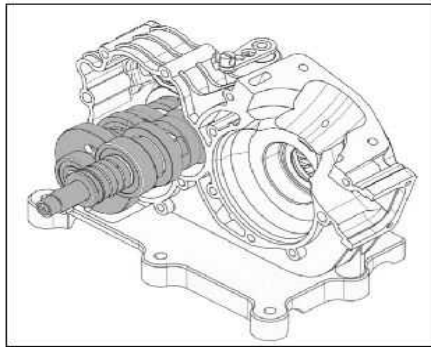
SL204.204 REED VALVE MOTOR 125cc

n°	Code	Description	Qty.	Price €
1	F196.6205	Crankshaft Bearing 6205	2	27,01
2	F196.705	Silver Plated Thrust Washer (20mm)	2	10,32
3	F196.702	Crankshaft Pin (20mm)	1	23,10
4	F196.20113	Connecting Rod 20x113mm	1	178,61
4	F196.20113C	Connecting Rod 20x113mm Complete	1	271,15
5	F196.707	Silver Plated Crankshaft Pin Bearing (20mm)	1	49,07
6	SL204.018	Crankshaft Reed Valve Ignition Side, SL204	1	197,31
6	SL204.120	Crankshaft Reed Valve Clutch Side, SL204	1	197,31
6	SL204.120C	Crankshaft Assembly Complete with Rod SL204	1	540,11
6	SL204.018Sp	Crankshaft Ignition Side SL204 (20mm) Spec.	1	215,10
6	SL204.120Sp	Crankshaft Clutch Side SL204 (20mm) Spec.	1	215,10
6	SL204.120Sp C	Special Crankshaft, Complete with Rod, SL204	1	569,86
6	GA207.018	Crankshaft Wheel, Ignition Side, GA207	1	221,40
6	GA207.120	Crankshaft Wheel, Clutch Side, GA207	1	221,40
6	GA207.120C	Crankshaft Assembly Complete with Rod GA207	1	605,30
7	F196.719	Ignition Rotor Nut	1	4,95
8	L198.5400	Piston Kit Complete	1	80,07
8	L198.5400P	Piston Kit Complete With Set Up	1	95,60
9	F196.730	Piston Pin Bearing 15/19/20	1	17,00
10	F196.SEGM5400	Piston Ring	1	19,30
11	F196.720	Ignition Rotor Washer	1	0,48
12	F196.698	Piston Pin	1	10,50
13	F196.699	Piston Pin Circlip	2	0,48



SL204.204 REED VALVE MOTOR 125cc

n°	Code	Description	Qty.	Price €
1	F196.022	Selector Fork Shaft 71mm long	1	7,45
2	F196.013	Selector Fork 3rd/4th Gear Input Shaft	1	53,81
3	F196.804	Selector Lever Locating Bolt	1	11,84
4	F196.740	Selector Lever	1	20,25
5	F196.106	Selector Lever Spring	1	3,50
6	F196.786	Transfer Shaft Pad	2	6,91
7	F196.784	Locating Dowel	2	5,02
8	F196.785	Pad Locating Dowel Spring	2	1,15
9	F196.956	Shaft Pivot	1	9,08
10	F196.755	Gear Change Shaft (Inside)	1	35,50
11	F196.742	Transfer Shaft	1	69,00
12	F196.050	Cam Barrel Retaining Plate	1	31,80
13	F196.748	Cam Barrel Locating Bolt	1	16,12
14	F196.741	Ratchet	1	55,60
15	F196.61805	Cam Barrel Bearing Ignition Side 61805	1	16,25
16	F196.955	Cam Barrel Pin 4x8	1	9,28
17	F196.019	Cam Barrel	1	71,00
18	F196.61905	Cam Barrel Bearing Clutch Side 61905	1	24,38
19	F196.107	Gear Change (Inside) Return Spring	1	9,98
20	F196.250	Gear Change Lever (Outside)	1	21,03
21	F196.014	Selector Fork 5th Gear Output Shaft	1	55,79
22	F196.015	Selector Fork 6th Gear Output Shaft	1	58,65
23	F196.021	Selector Fork Shaft 117mm long	1	7,45



SL204.204 GEARBOX PARTS

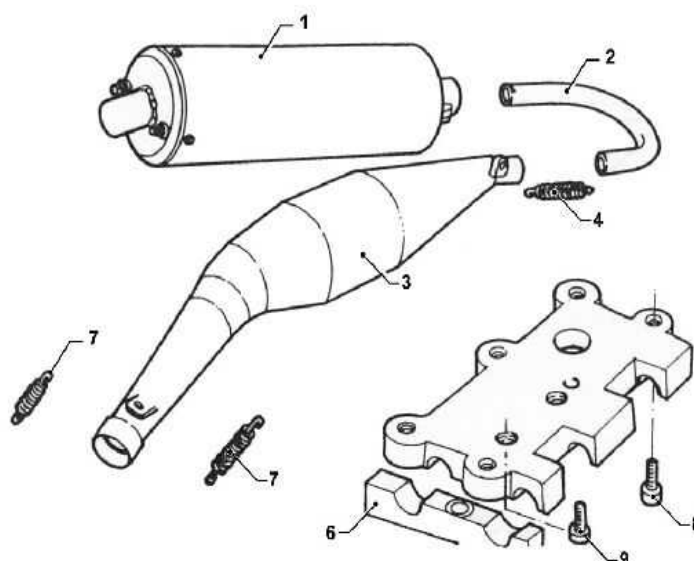
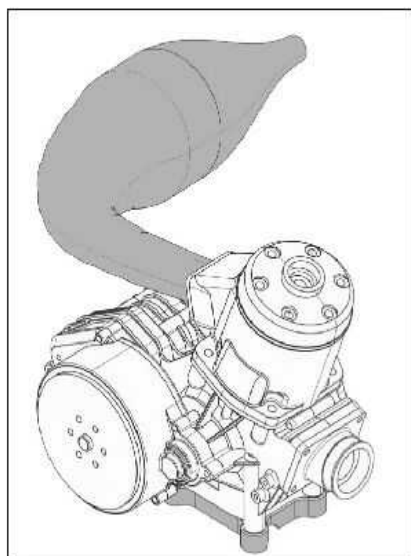
n°	Code	Description	Qty.	Price €
1	L198.006	1st Gear Output Shaft Z34 (Reed Valve)	1	80,65
1	GA2010.006	1st Gear Output Shaft Z36 (Z13) GA 2010	1	80,65
2	F196.750	Output Shaft Needle Bearing 17/21/10	1	6,43
3	F196.744	Output Shaft Thrust Washer 22/28/1	3	2,36
4	F196.010	5th Gear Output Shaft Z26 (Rotary/Reed)	1	90,56
5	F196.751	Output Shaft Circlip 21 dia.	2	0,54
6	F196.746	Output Shaft Thrust Washer 17/30/1	1	2,36
7	L198.008	3rd Gear Output Shaft Z30 (Reed Valve 1999)	1	90,56
7	GA207.008	3rd Gear Output Shaft Z29 GA207	1	90,56
8	L198.009	4th Gear Output Shaft Z28 (Reed Valve 1999)	1	90,56
9	F196.012	Output (Secondary) Shaft	1	96,12
10	L198.011	6th Gear Output Shaft Z24 (Reed Valve)	1	90,56
11	F196.745	Input Shaft Thrust Washer 20/28/1	2	2,36
12	F196.970	Input Shaft Needle Bearing 20/24/10	1	6,64
13	SL204.007	2nd Gear Output Shaft E Z29 (SL204)	1	90,56
14	F196.413	Front Sprocket Z13 (Pull Chain)	1	28,77
15	F196.716	Front Sprocket Circlip 19 dia (Pull Chain)	1	0,41
16	F196.001	Input (Primary) Shaft (Z14)	1	100,00
16	GA2010.001	Input (Primary) Shaft GA 2010 (Z14)	1	100,00
17	F196.004	5th Gear Input Shaft Z23 (Rotary/Reed)	1	90,56
18	F196.970	Input Shaft Needle Bearing 20/24/10	1	6,64
19	F196.745	Input Shaft Thrust Washer 20/28/1	1	2,36
20	F196.716	Front Sprocket Circlip 19 dia (Pull Chain)	2	0,41
21	L198.031	3rd/4th Gear Input Shaft Z19/21 (Reed Valve 1999)	1	113,75
21	GA207.031	3rd/4th Gear Input Shaft Z18/21 GA207	1	121,90
22	F196.005	6th Gear Input Shaft Z24 (Rotary/Reed)	1	90,56
23	SL204.102	2nd Gear Input Shaft E Z15(SL204)	1	76,52
24	F196.805	Clutch Push Rod 6x60 (hardening)	1	2,98
25	F196.961	Clutch Push Rod 6x20 (hardening)	3	2,30
26	F196.6204T	Gearbox Input Shaft Bearing Clutch Side 6204	1	13,33
27	F196.6203N	Gearbox Input Shaft Bearing Ignition Side 6203	1	12,52
28	F196.6203N	Gearbox Output Shaft Bearing Clutch Side 6203	1	12,52
29	F196.6204T	Gearbox Output Shaft Bearing Ignition Side 6204	1	13,33
30	F196.738	Input (Primary) Shaft Oil Seal 6/10/2	1	3,12

SPEED GEAR RATIO

PART No.	PART No.	Description	GEAR RATIO	STAMP.	GEAR RATIO	STAMP.
Input Shaft	Output Shaft	GEARBOX STD SL204	Input shaft		Output shaft	
F196.001	L198.006	1a MARCIA	14	S	34	L
SL204.102	SL204.007	2a MARCIA	15	E	29	E
L198.031	L198.008	3a MARCIA	19	L	30	L
L198.031	L198.009	4a MARCIA	21	L	28	L
F196.004	F196.010	5a MARCIA	23	S	26	S
F196.005	L198.011	6a MARCIA	24	S	24	L
Clutch Gear	Primary drive	FINAL DRIVE	Clutch gear		Primary drive	
SL204.016	SL204.017	LAMELLARE 2004 (3,72)	67		18	C

PART No.	PART No.	Description	GEAR RATIO	STAMP.	GEAR RATIO	STAMP.
Input Shaft	Output Shaft	GEARBOX GA207	Input shaft		Output shaft	
F196.001	L198.006	1a MARCIA	14	S	34	L
SL204.102	SL204.007	2a MARCIA	15	E	29	E
GA207.031	GA207.008	3a MARCIA	18	GA	29	GA
GA207.031	L198.009	4a MARCIA	21	GA	28	L
F196.004	F196.010	5a MARCIA	23	S	26	S
F196.005	L198.011	6a MARCIA	24	S	24	L
Clutch Gear	Primary drive	FINAL DRIVE	Clutch gear		Primary drive	
GA207.016	GA207.017	LAMELLARE 2009 (3,66)	66	C	18	C

PART No.	PART No.	Description	PART No.	PART No.	GEAR RATIO	STAMP.
Input Shaft	Output Shaft	GEARBOX STD GA210/211	Input Shaft	Output Shaft	Output shaft	
GA2010.001	GA2010.006	1a MARCIA	13	GA	36	GA
SL204.102	SL204.007	2a MARCIA	15	E	29	E
GA207.031	GA207.008	3a MARCIA	18	GA	29	GA
GA207.031	L198.009	4a MARCIA	21	GA	28	L
F196.004	F196.010	5a MARCIA	23	S	26	S
F196.005	L198.011	6a MARCIA	24	S	24	L
Clutch Gear	Primary drive	FINAL DRIVE	Clutch gear		Primary drive	
GA207.016	GA207.017	LAMELLARE 2009 (3,66)	66	C	18	C



SL204.204 REED VALVE MOTOR 125cc

n°	Code	Description	Qty.	Price €
1	F196.503	Aluminium Silencer (baffled)	1	140,94
2	F196.500TMS	Exhaust "U" Bend (Standard)	1	24,15
2	F196.905	Exhaust "U" Bend (Special)	1	29,90
3	F196.500	Expansion Chamber (Rotary/Reed)	1	227,11
3	F196.500S	Expansion Chamber Special (Rotary/Reed)	1	329,95
3	GA207.500	Expansion Chamber GA207 FIA Approved	1	227,11
3	GA2010.500	Expansion Chamber GA210/211 FIA Approved	1	297,60
	GA2010.501	Expansion chamber bushing 30x26x24	1	10,29
4	F196.506	Exhaust/U Bend Retaining Spring L. 51	1	4,30
4	F196.507	Exhaust/U Bend Retaining Spring L. 66	1	4,00
4	F196.508	Exhaust/U Bend Retaining Spring L. 107	1	4,60
5	SL204.180	Aluminium Motor Mount (CNC Machined) New Reed V.	1	172,90
5	SL204.182	Aluminium Motor Mount New Reed V.	1	140,34
5	GA207.180	Aluminium Motor Mount GA 207 (CNC Machined)	1	336,26
5	GA207.190	Magnesium Motor Mount GA 207 (CNC Machined)	1	347,29
6	F196.181	Motor Mount Lower Clamp (CNC Machined)	1	29,66
7	F196.506	Exhaust/U Bend Retaining Spring L. 51	1	4,30
7	F196.507	Exhaust/U Bend Retaining Spring L. 66	1	4,00
7	F196.508	Exhaust/U Bend Retaining Spring L. 107	1	4,60
8	F196.560	Engine Mount Screw M8x25	6	0,64
8	SL204.560	Engine Mount Screw M8x20 (tb)	6	0,76
8	SL204.561	Engine Mount Screw M8x20	1	0,64
9	F196.569	Motor Mounting Lower Clamp Screw M10x40	2	0,54



SEVERI RACING KART & C. S.r.l.

Via Musso, 35

41053 Maranello (MO) - Italy

Tel 0536/940234 - Fax 0536/944095

E-mail: severi.sgm@tiscalinet.it

E-mail: severi.sgm@tiscalinet.it

www.sgm-engines.com

GA210/211 125 cc REED VALVE

FACTORY	SEVERI RACING KART & C. S.r.l.
TRADE - MARK	SGM
MODEL	GA210/211
BORE	54,08
STROKE	54,40
MAX CIL.	124,96
CYLINDER COOLING SYSTEM	WATER
CASING COOLING SYSTEM	WATER
INTAKE SYSTEM	REED VALVE
CYLINDER NR.	1
TRANSFER DUCTS, CYLINDER/SUMP NR	5 x CYLINDER
EXHAUST PORTS/DUCTS NR	3 x CYLINDER
CYLINDER MATERIAL	ALUMINIUM ALLOY + NICASIL
CONNECTING ROD	NR. 1 Long 113
NR PISTONS	1
IGNITION	PVL
NR. CARBURETTORS	1 CARBURETTOR 30VSH
GEAR BOX	6 DRIVE

MOTORE GA210/211

**I ricambi del motore GA210/211 sono gli stessi della precedente versione,
ad eccezione della seguente lista di aggiornamenti:**

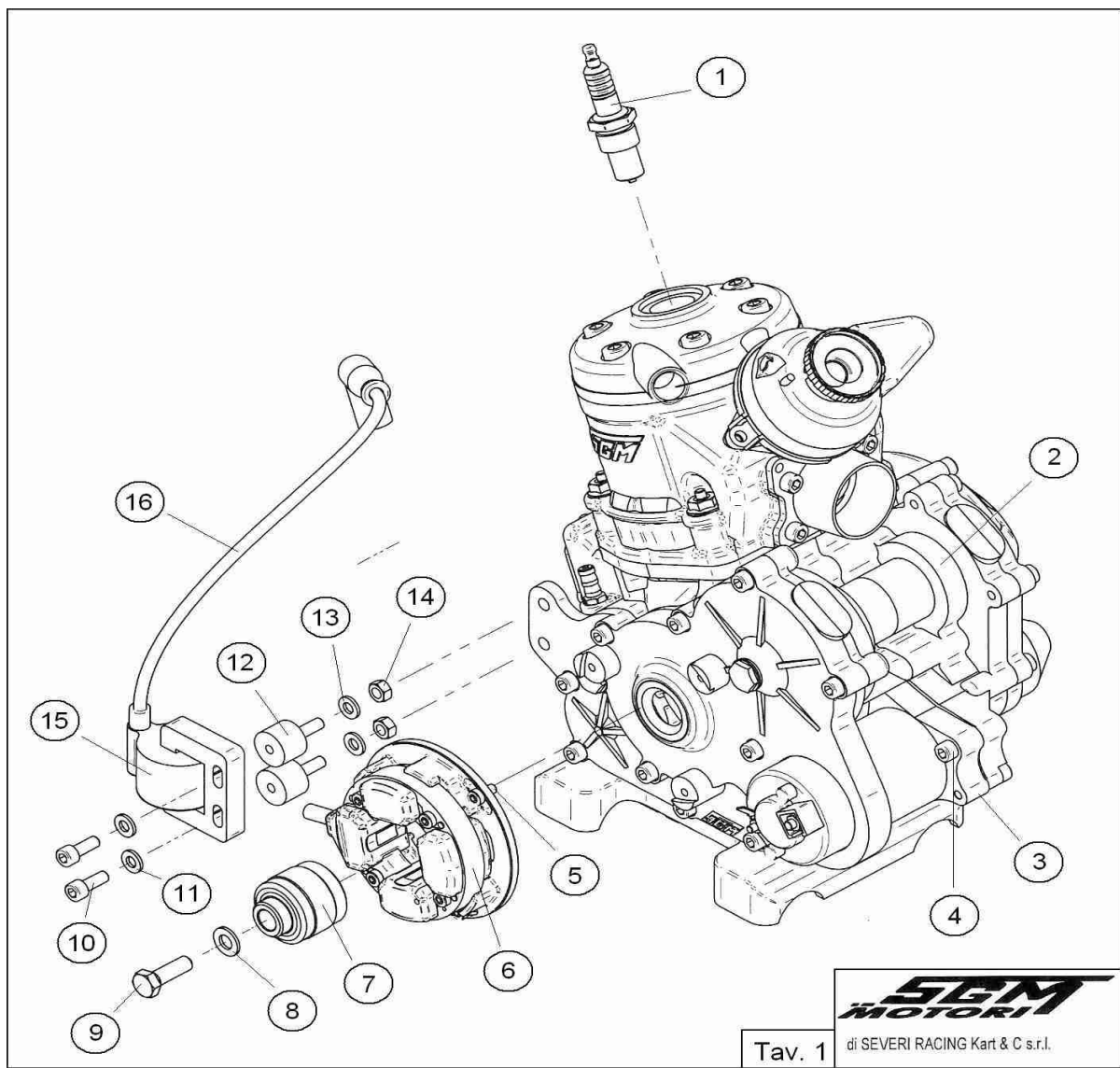
Code	Description	Qty.	Price €
GA2010.006	1st Gear Output Shaft Z36 (Z13) GA 2010	1	80,65
GA2010.200	Clutch Drum GA 2010 (Small With O.ring)	1	198,00
GA2010.711	Clutch Drum O.Ring (89,69x5,34)	1	3,00
GA210/211.1	Crankcase, Reed Valve GA210/211, Ignition Side	1	492,50
GA210/211.2	Crankcase, Reed Valve GA210/211, Clutch Side	1	492,50
GA210/211.1/2	Crankcase (2 pieces), Reed Valve GA210/211	1	985,00
GA210/211.100	Cylinder, Reed Valve, GA10/211, Standard	1	950,00
GA210/211.100Sp	Cylinder, Reed Valve, Special, GA210/211	1	1.080,00
GA210/211.018	Crankshaft Wheel, Ignition Side, GA210/211	1	230,55
GA210/211.120	Crankshaft Wheel, Clutch Side, GA210/211	1	230,55
GA210/211.120C	Crankshaft Assembly Complete with Rod, GA210/211	1	617,88
GA210/211.504	Exhaust Manifold, Billet, GA210/211	1	35,25
GA2010.501	Expansion chamber bushing 30x26x24	1	10,29
GA2010.500	Expansion Chamber GA210/211 FIA Approved	1	297,60



SEVERI RACING KART & C. S.r.l.
 Via Musso, 35
 41053 Maranello (MO) - Italy
 Tel 0536/940234 - Fax 0536/944095
www.sgm-engines.com
 E-mail : info@sgm-engines.com
 E-mail: severi.sgm@tiscalinet.it

SL207.208 TAG 125 cc REED VALVE

FACTORY	SEVERI RACING KART & C. S.r.l.
TRADE - MARK	SGM
MODEL	SL207.208
BORE	54,08
STROKE	54,40
MAX CIL.	124,96
CYLINDER COOLING SYSTEM	WATER
CASING COOLING SYSTEM	WATER
INTAKE SYSTEM	REED VALVE
CYLINDER NR.	1
TRANSFER DUCTS, CYLINDER/SUMP NR	5 x CYLINDER
EXHAUST PORTS/DUCTS NR	3 x CYLINDER
CYLINDER MATERIAL	ALUMINIUM ALLOY + NICASIL
CONNECTING ROD	NR. 1 Long 113
NR PISTONS	1
ACCENSIONE	PVL (KF1/KF2/KF3)
NR. CARBURATORI	1 CARBURETTO 22/24/28/30 VSHS
CAMBIO	NO

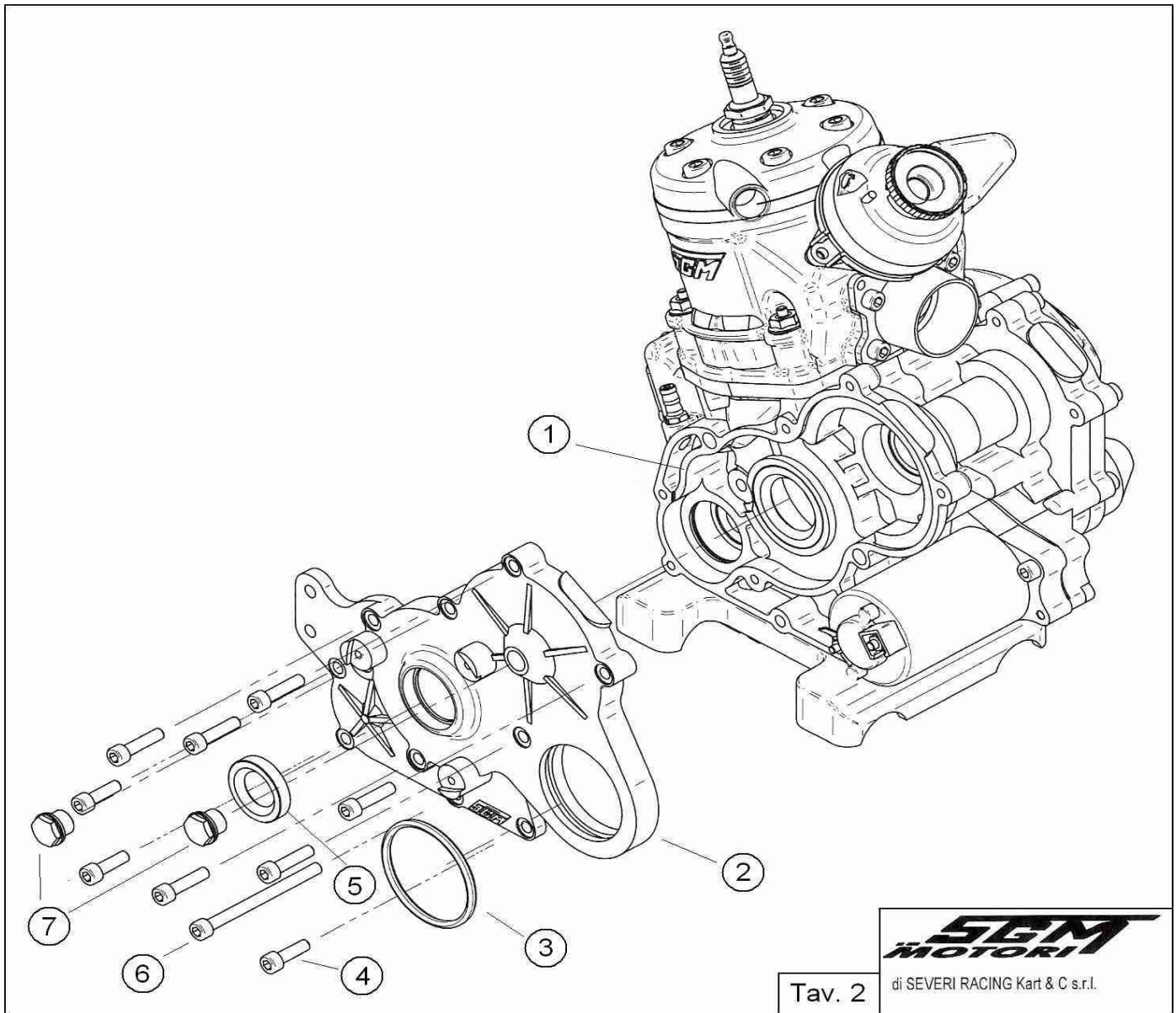


Tav. 1

SEGM
MOTORI
di SEVERI RACING Kart & C s.r.l.

SL207/208 TAG REED VALVE MOTOR 125cc

n°	Code	Description	Qty.	Price €
1	NGKB10EG	Spark Plug NGK B10EG	1	9,35
1	GA207.801	Spark Plug Denso	1	64,95
2	SL207.001	Crankcase, Clutch Side, SL207 TAG	1	350,86
3	SL207.002	Crankcase, Ignition Side, SL207 TAG	1	350,86
	SL207.001/002	Crankcase (2 pieces), SL207 TAG	1	701,72
4	SL207.015	Starter Engine Screw 6X30	2	0,54
5	SL207.008	Coupling Flange Stator	1	25,23
6	SL207.300	Ignition PVL (Complete)	1	253,70
6	SL207.310	Ignition PVL KF1	1	418,95
6	SL207.311	Ignition Selettra KF1	1	418,95
7	SL207.302	Rotor PVL KF1	1	44,10
7	SL207.322	Rotor Selettra KF1	1	44,10
8	SL207.005	Starter Engine Coupling Washer	1	1,17
9	SL207.006	Starter Engine Coupling Screw	1	0,54
10	SL207.007	Ignition Coil Screw M6X10	2	0,54
11	SL207.566	Coil Mounting Washer	2	0,25
12	F196.557	Coil Mounting Silentbloc	2	12,58
13	SL207.566	Coil Mounting Washer	2	0,25
14	F196.565	Coil Mounting Bolt M6	2	0,26
15	F196.302	Ignition Coil (PVL)	1	85,38
16	ATT.CAND	Ngk Plug Cap	1	21,73
16	GA207.802	Special Plug Cap	1	100,00
16	F196.801	Standard Plug Cap	1	15,50

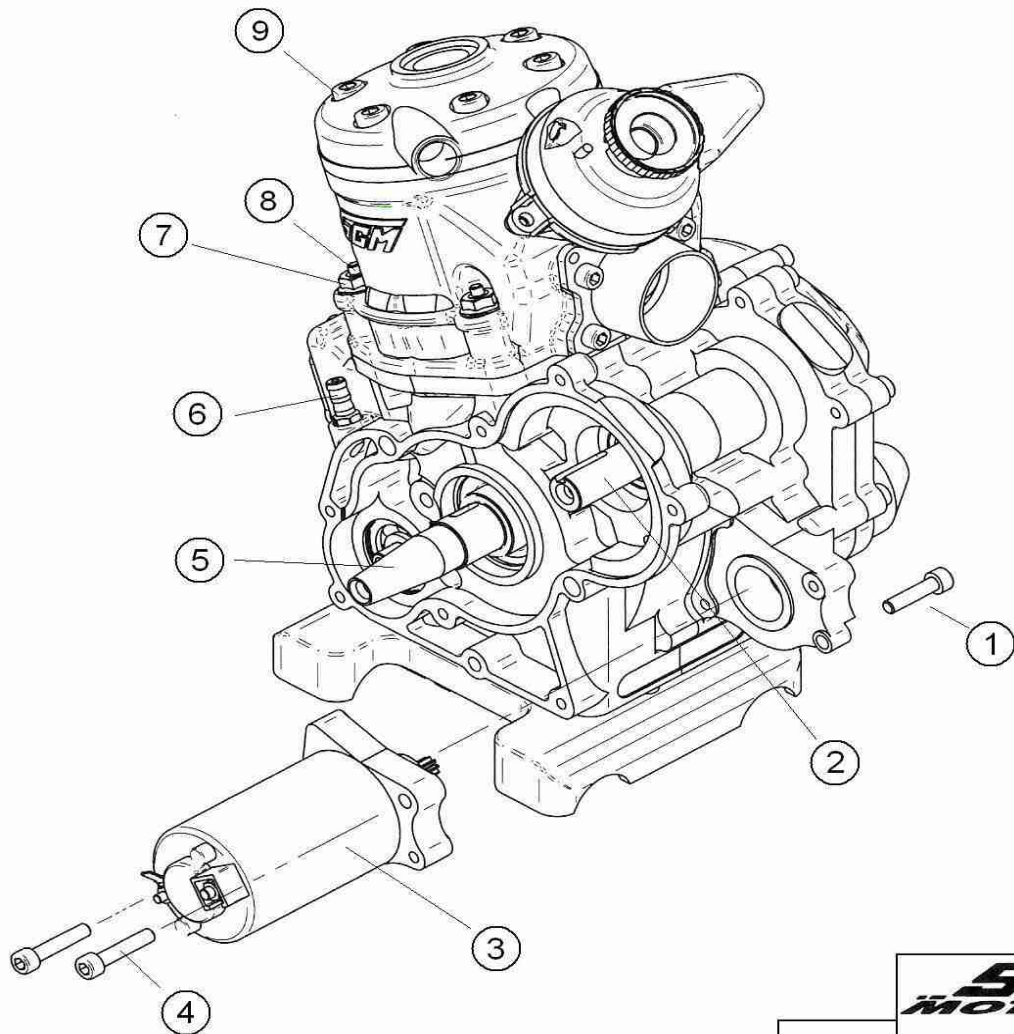


Tav. 2

SEVERI
MOTORI
di SEVERI RACING Kart & C s.r.l.

SL207/208 TAG REED VALVE MOTOR 125cc

n°	Code	Description	Qty.	Price €
1	SL207.002	Crankcase, Ignition Side, SL207 TAG	1	350,86
2	SL207.003	Drive Casing	1	214,41
3	SL207.009	Drive Casing O. Ring	1	4,56
4	SL207.010	Drive Casing Screw 6X16	3	0,54
5	SL207.011	Drive Casing Oil Seal 20/35/7	1	17,88
6	SL207.012	Drive Casing Screw M6X75	1	0,57
6	SL207.620	Screw M6X20	1	0,54
6	SL207.625	Screw M6X25	3	0,54
6	SL207.630	Screw M6X30	2	0,54
7	SL204.550	Oil Level Plug SL204	2	3,12

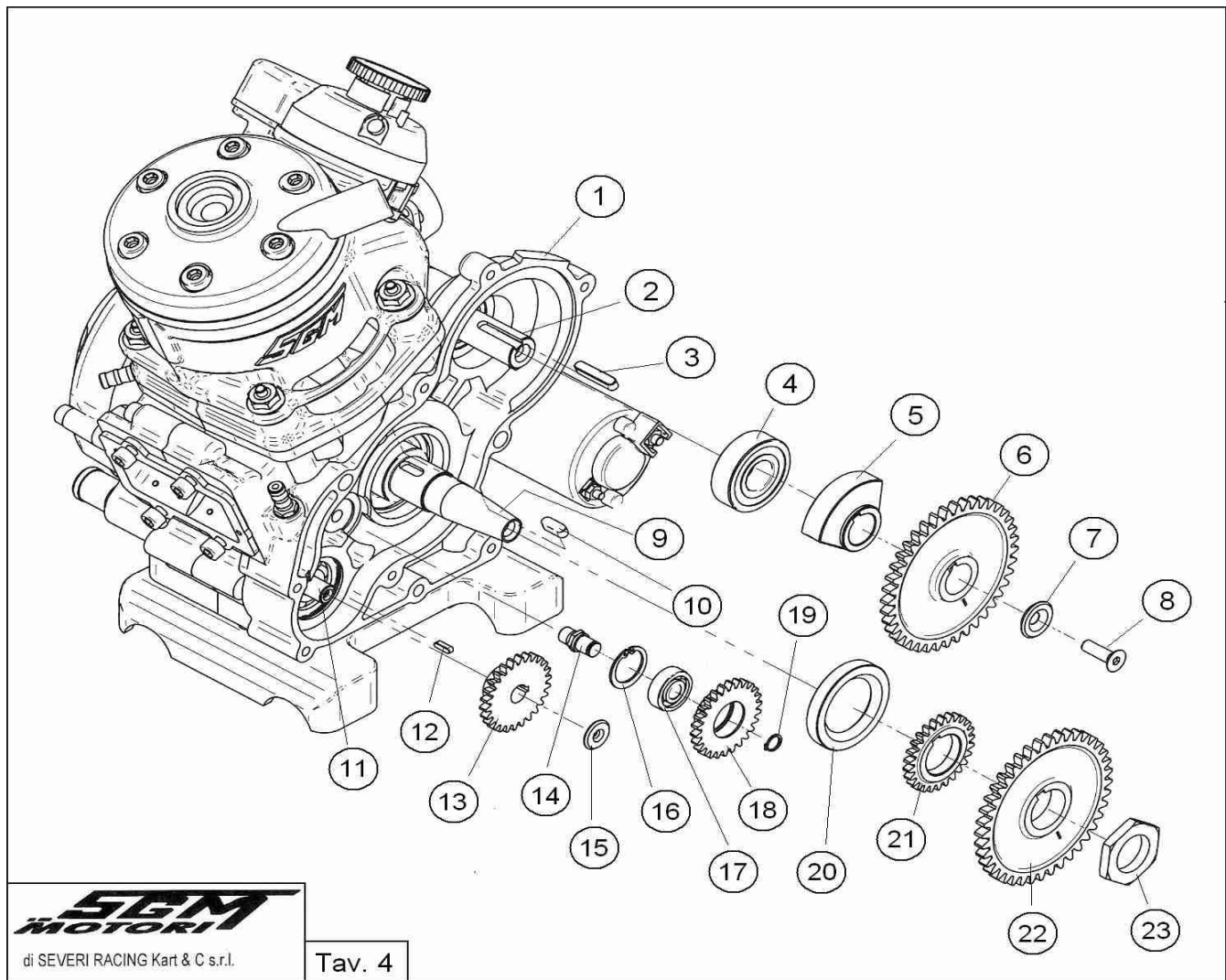


Tav. 3



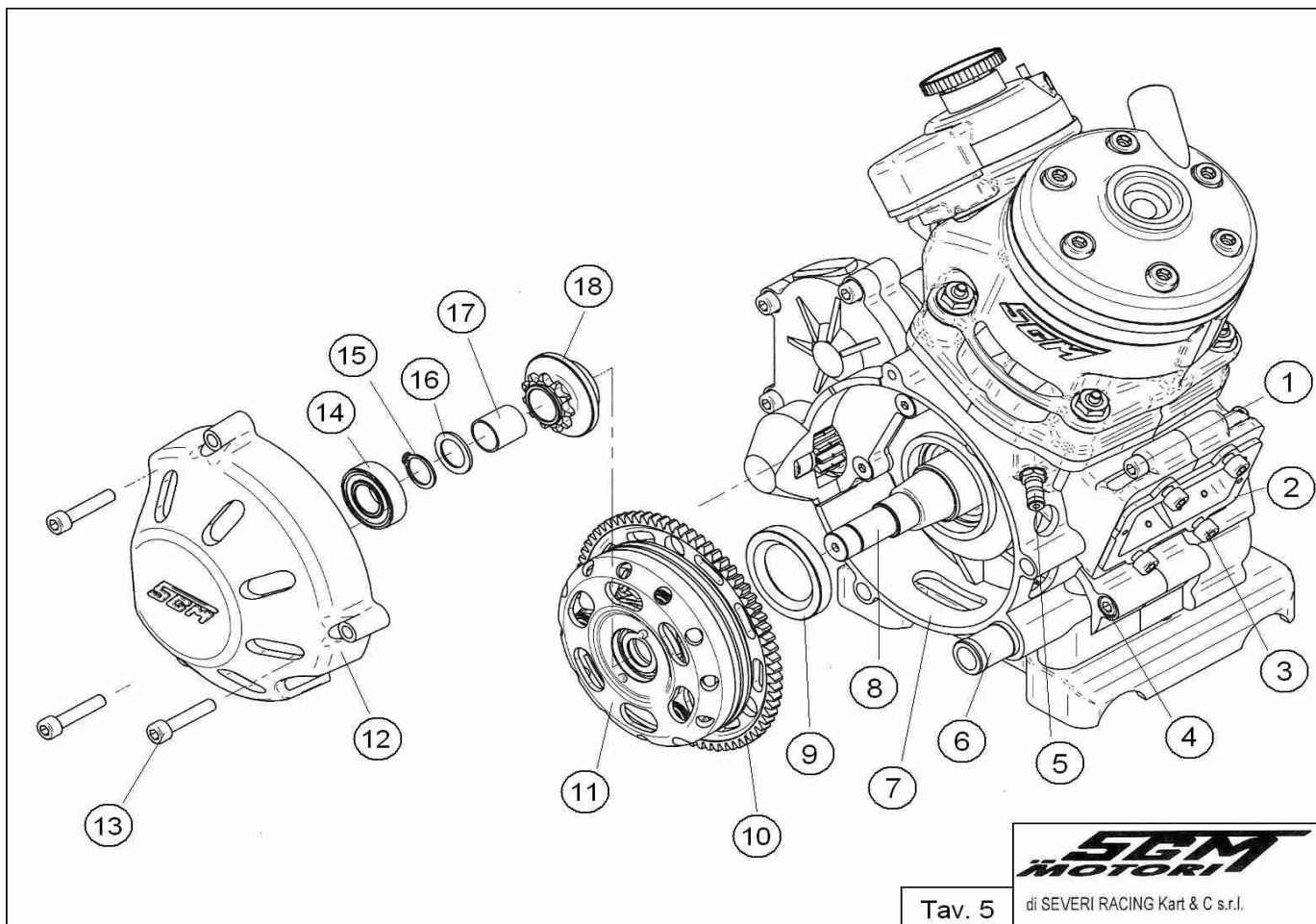
SL207/208 TAG REED VALVE MOTOR 125cc

n°	Code	Description	Qty.	Price €
1	SL207.010	Drive Casing Screw 6X16	1	0,54
2	SL207.013	Rocker Shaft	1	75,68
3	SL207.014	Starter Engine	1	97,46
4	SL207.015	Starter Engine Screw 6X30	2	0,54
5	SL207.120	Crankshaft Ignition Side SL 207 TAG	1	215,12
6	F196.556	Gearbox Breather	1	8,01
7	F196.733	Cylinder Base Nut	4	3,11
8	F196.726	Crankcase/Cylinder Stud	4	2,98
9	F196.731	Cylinder Head Screw M8x40	6	2,86



SL207/208 TAG REED VALVE MOTOR 125cc

n°	Code	Description	Qty.	Price €
1	SL207.002	Crankcase, Ignition Side, SL207 TAG	1	350,86
2	SL207.013	Rocker Shaft	1	75,68
3	SL207.016	Grooved Pin (Rocker Shaft)	1	3,44
4	SL207.017	Balance Weight Bearing	1	14,03
5	SL207.019	Balance Weight	1	37,55
6	SL207.020	Countershaft Gear Z27	1	94,50
7	SL207.021	Countershaft Gear Washer	1	9,36
8	SL207.022	Countershaft Gear Screw	1	0,54
9	SL207.120	Crankshaft Ignition Side SL 207 TAG	1	215,12
10	SL207.023	Grooved Pin (Crankshaft)	1	3,44
11	SL207.061	Water Pump Shaft	1	29,24
12	SL207.025	Grooved Pin (Water Pump)	1	3,44
13	SL207.026	Water Pump Gear Z26	1	65,85
14	SL207.027	Loose Gear Bolt	1	20,64
15	SL207.028	Water Pump Washer	1	9,17
16	SL207.077	Secondary Gaer Water Pump Circlip	1	2,44
17	SL207.029	Secondary Gaer Water Pump Circlip	1	2,87
18	SL207.030	Secondary Gear Water Pump	1	71,98
19	SL207.071	Secondary Gaer Water Pump Circlip	1	2,87
20	SL207.035	Crankshaft Oil Seal 30/47/7	1	19,90
21	SL207.074	Secondary Gear Water Pump Z26	1	63,45
22	SL207.020	Countershaft Gear Z27	1	94,50
23	SL207.034	Countershaft Nut	1	6,88



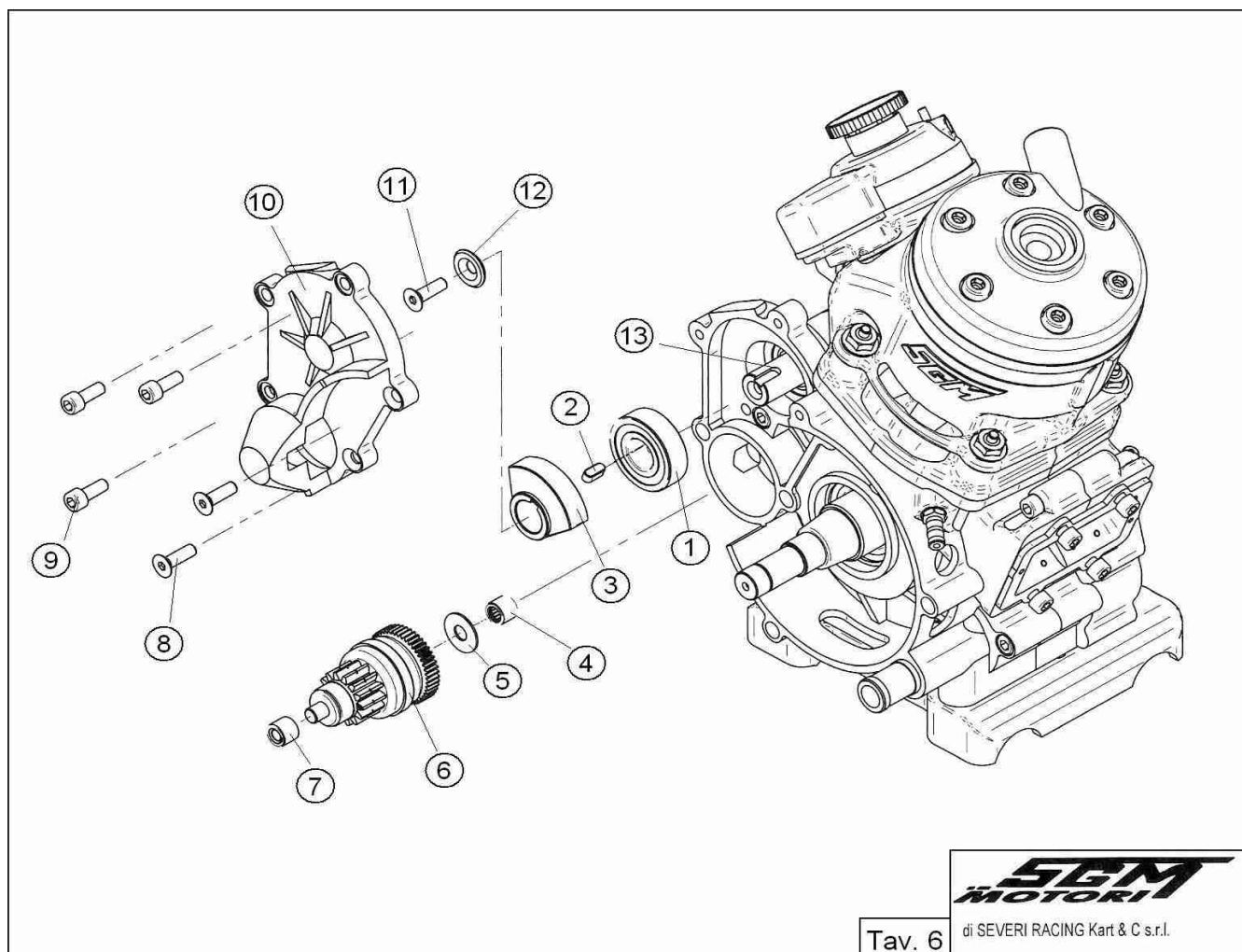
Tav. 5

SEM
MOTORI

di SEVERI RACING Kart & C s.r.l.

SL207/208 TAG REED VALVE MOTOR 125cc

n°	Code	Description	Qty.	Price €
1	SL207.635	Crankcase Screw M6x35	1	0,54
2	SL207.075	Reed Valve Complete (Without duct) SL 207	1	107,91
3	SL207.016	Grooved Pin (Rocker Shaft)	1	3,44
4	SL207.063	Crankcase Screw M6X45	1	0,55
5	F196.953	Pulse Pump Adaptor	1	6,09
6	F196.615	Water Hose Fitting (Short)	1	8,27
7	SL207.001	Crankcase, Clutch Side, SL207 TAG	1	350,86
8	SL207.018	Crankshaft Clutch Side SL 207 TAG	1	215,12
9	SL207.035	Crankshaft Oil Seal 30/47/7	1	19,90
10	SL207.036	Clutch Gear	1	146,76
11	SL207.037	Clutch Drum	1	99,46
12	SL207.038	Clutch Casing	1	100,90
13	SL207.640	Clutch Casing Screw M6x40	3	0,55
14	SL207.068	Clutch Casing Bearing	1	13,76
15	SL207.069	Cog Wheel Circlip	1	1,72
16	SL207.070	Cog Wheel Thrust Washer	1	2,00
17	SL207.049	Cog Wheel Needle Bearing	1	10,89
18	SL207.048	Cog Wheel SL 207 TAG	1	37,00

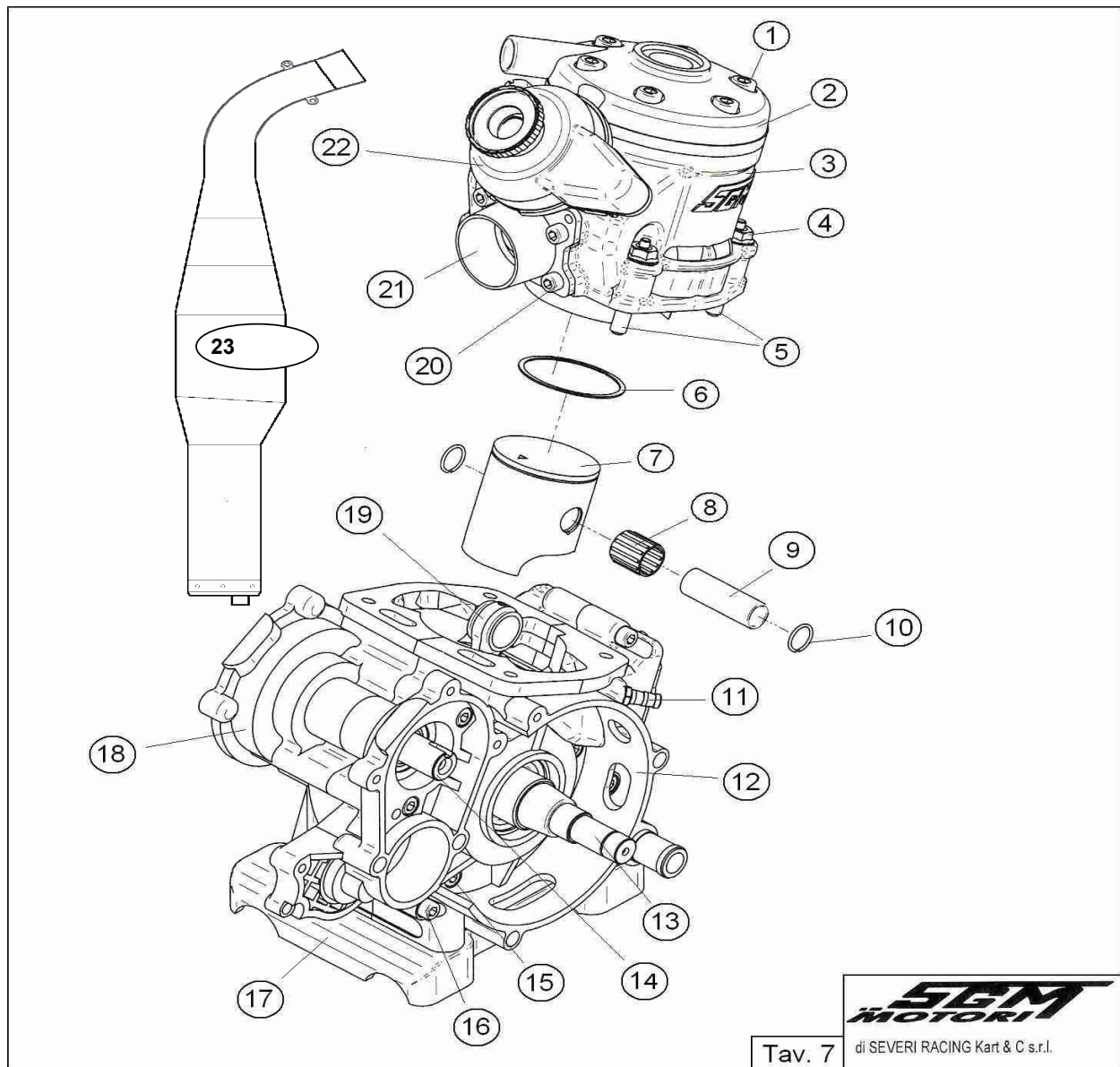


Tav. 6

SEM
MOTORI
di SEVERI RACING Kart & C s.r.l.

SL207/208 TAG REED VALVE MOTOR 125cc

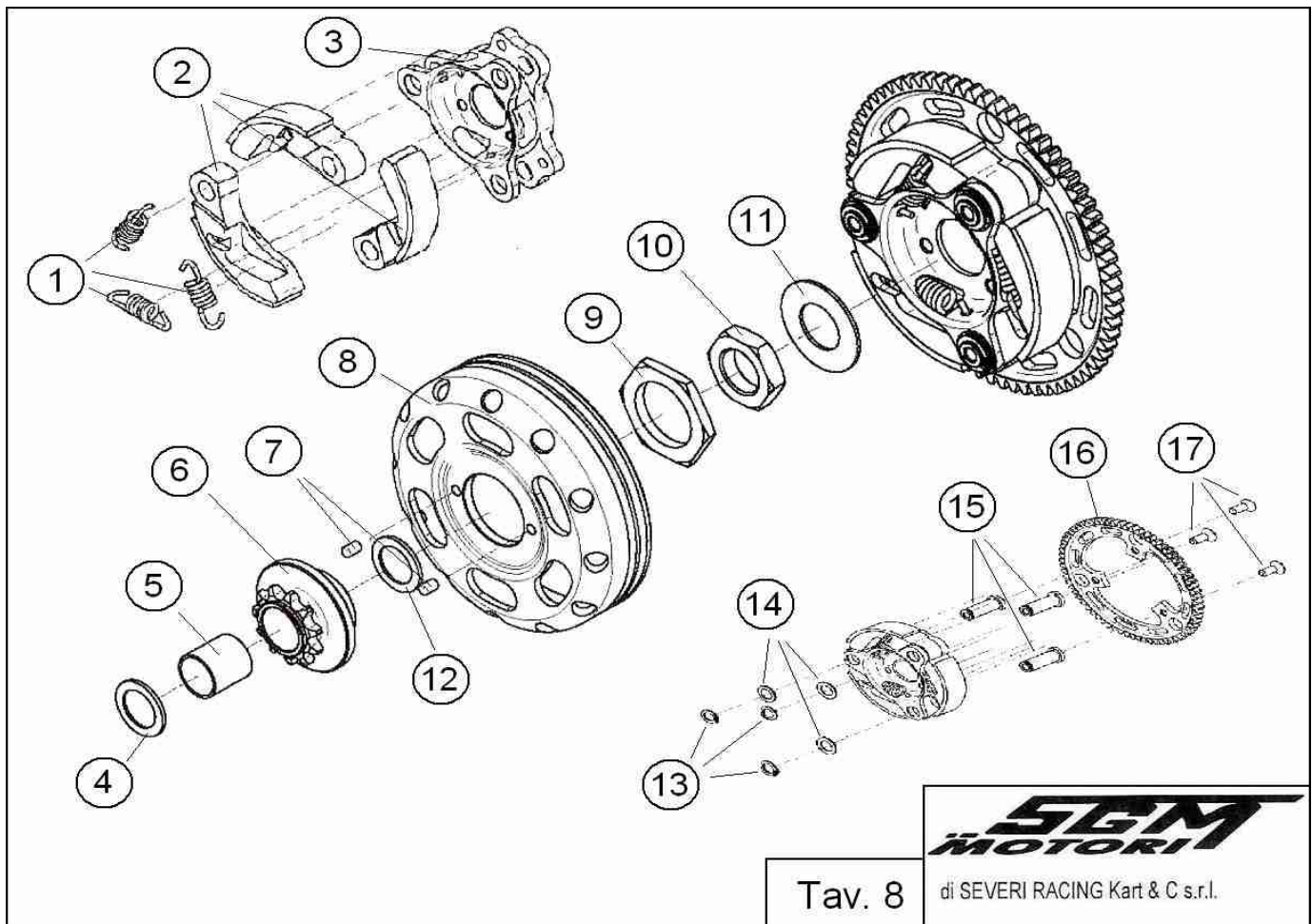
n°	Code	Description	Qty.	Price €
1	SL207.017	Balance Weight Bearing	1	14,03
2	SL207.016	Grooved Pin (Rocker Shaft)	1	3,44
3	SL207.019	Balance Weight	1	37,55
4	SL207.065	Starter Connect Gear Wheel Needle Bearing (Inside)	1	8,03
5	SL207.066	Starter Connect Gear Wheel Thrust Washer	3	4,01
6	SL207.045	Starter Engine Coupling	1	60,50
7	SL207.067	Starter Connect Gear Wheel Needle Bearing (Outside)	1	8,03
8	SL207.621	Screw M6X20 (Flare)	1	0,55
8	SL207.626	Screw M6X25 (Flare)	1	0,55
9	SL207.620	Screw M6X20	2	0,54
9	SL207.625	Screw M6X25	1	0,54
10	SL207.004	Casing Rocker Shaft	1	91,73
11	SL207.022	Countershaft Gear Screw	1	0,54
12	SL207.021	Countershaft Gear Washer	1	9,36
13	SL207.013	Rocker Shaft	1	75,68



Tav. 7 di SEVERI RACING Kart & C.s.r.l.

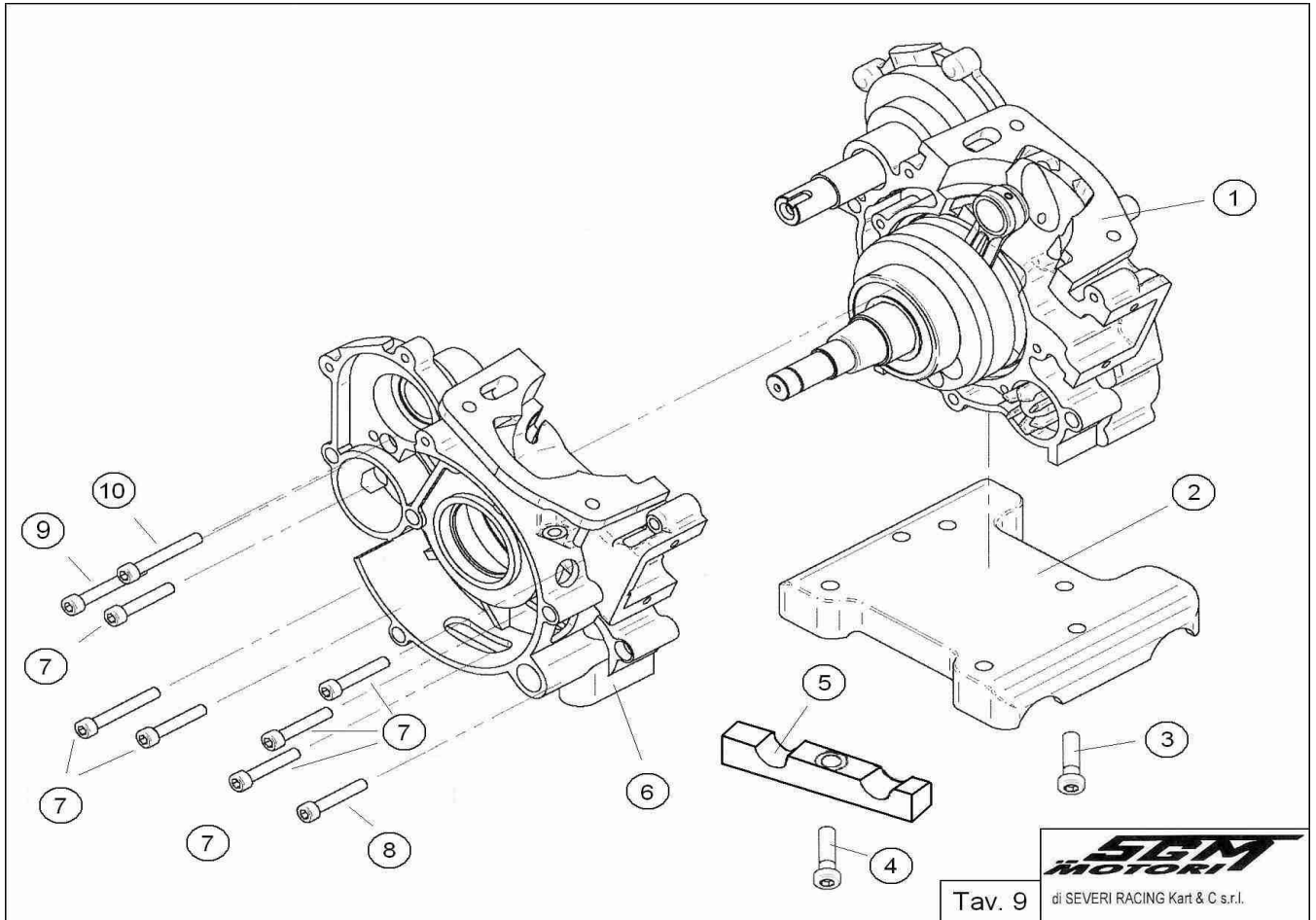
SL207/208 TAG REED VALVE MOTOR 125cc

n°	Code	Description	Qty.	Price €
1	F196.731	Cylinder Head Screw M8x40	6	2,86
2	F196.800A	Cylinder Head With Aluminium Insert (F196/L198)	1	196,58
3	SL207.100	Cylinder SL 207 TAG	1	830,00
3	SL207.100Sp	Cylinder, Special, SL207 TAG	1	950,00
4	F196.733	Cylinder Base Nut	4	3,11
5	F196.726	Crankcase/Cylinder Stud	4	2,98
6	F196.SEGM5400	Piston Ring	1	19,30
7	L198.5400	Piston Kit Complete	1	80,07
7	L198.5400P	Piston Kit Complete With Set Up	1	95,60
8	F196.730	Piston Pin Bearing 15/19/20	1	17,00
9	F196.698	Piston Pin	1	10,50
10	F196.699	Piston Pin Circlip	2	0,48
11	F196.953	Pulse Pump Adaptor	1	6,09
12	SL207.001	Crankcase, Clutch Side, SL207 TAG	1	350,86
13	SL207.018	Crankshaft Clutch Side SL 207 TAG	1	215,12
14	SL207.013	Rocker Shaft	1	75,68
15	SL207.630	Screw M6X30	1	0,54
16	SL207.635	Crankcase Screw M6x35	1	0,54
17	SL207.062	Aluminium Motor Mount SL 207 TAG	1	112,37
18	SL207.002	Crankcase, Ignition Side, SL207 TAG	1	350,86
19	F196.20113	Connecting Rod 20x113mm	1	178,61
20	F196.736	Exhaust Manifold Screw M6x16	4	0,54
21	F196.504	Exhaust Manifold	1	32,91
22	SL207.046	Exhaust Valve	1	179,71
23	SL207.500	Expansion Chamber SL207 TAG	1	187,43



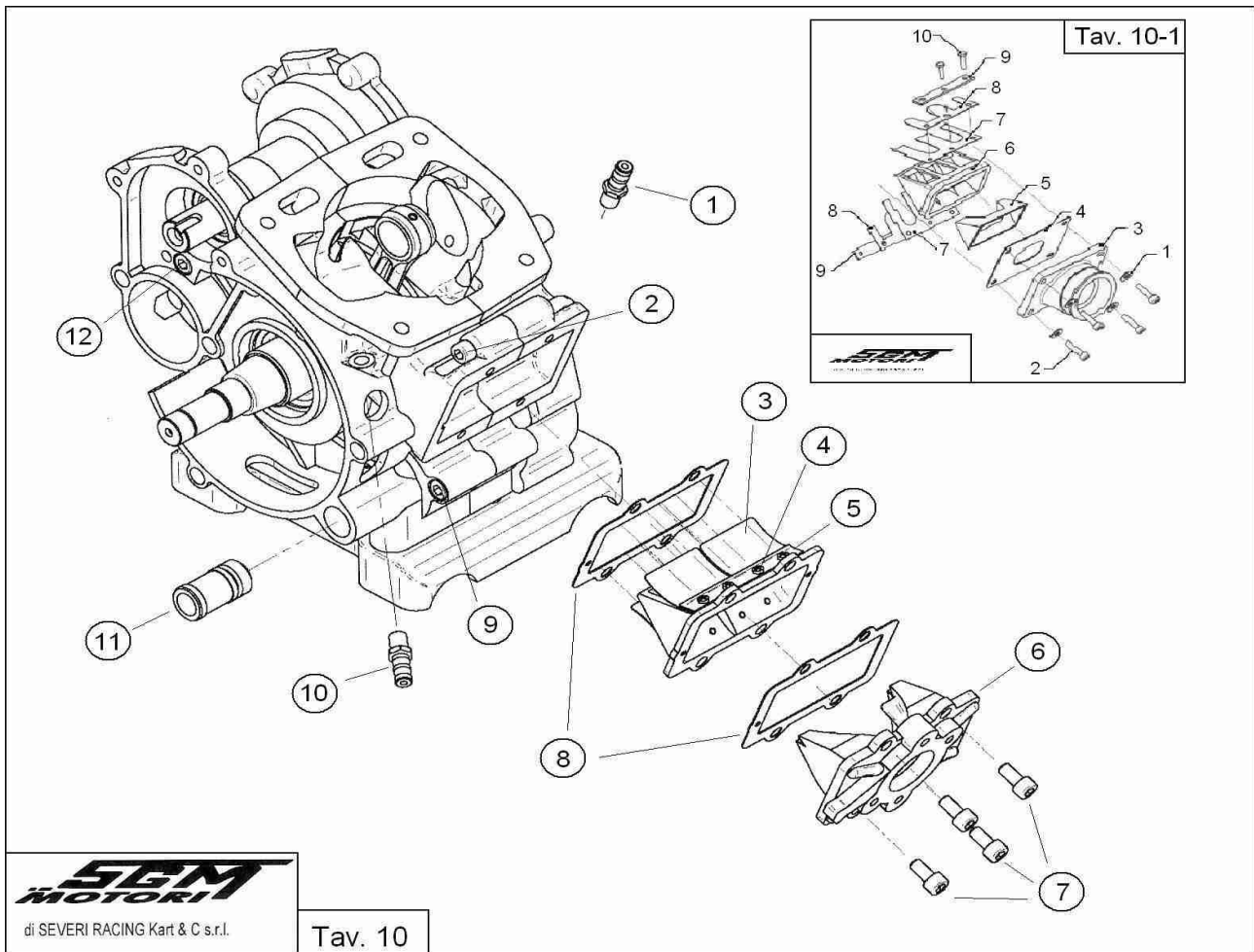
SL207/208 TAG REED VALVE MOTOR 125cc

n°	Code	Description	Qty.	Price €
1	SL207.033	Clutch Spring SL 207 TAG	3	3,90
2	SL207.032	Clutch Jaw	3	41,28
3	SL207.031	Clutch Hub	1	169,20
4	SL207.050	Cog Weel Thrust Washer (Front)	1	5,90
5	SL207.049	Cog Weel Needle Bearing	1	10,89
6	SL207.048	Cog Weel SL 207 TAG	1	37,00
7	SL207.047	Cog Weel Dowel Pin	2	1,15
8	SL207.037	Clutch Drum	1	99,46
9	SL207.042	Front Sprocket Nut	1	8,03
10	SL207.041	Clutch Nut	1	7,98
11	SL207.040	Clutch Washer SL 207 Tag	1	4,73
12	SL207.051	Cog Weel Thrust Washer (Rear)	1	6,02
13	SL207.055	Clutch Circlip SL207 TAG	3	2,87
14	SL207.054	Clutch Washer SL 207 TAG	3	1,83
15	SL207.053	Clutch Bolt SL 207 Tag	3	9,75
16	SL207.036	Clutch Gear	1	146,76
17	SL207.052	Clutch Screw SL 207 TAG	3	0,54



SL207/208 TAG REED VALVE MOTOR 125cc

n°	Code	Description	Qty.	Price €
1	SL207.002	Crankcase, Ignition Side, SL207 TAG	1	350,86
2	SL207.062	Aluminium Motor Mount SL 207 TAG	1	112,37
3	SL204.561	Engine Mount Screw M8x20	4	0,64
4	F196.569	Motor Mounting Lower Clamp Screw M10x40	2	0,54
5	SL207.073	Motor Mount Lower Clamp (CNC Machined) SL 207	2	28,66
6	SL207.001	Crankcase, Clutch Side, SL207 TAG	1	350,86
7	SL207.635	Crankcase Screw M6x35	6	0,54
8	SL207.645	Crankcase Screw M6x45	1	0,55
9	SL207.655	Crankcase Screw M6x55	1	0,55
10	SL207.645	Crankcase Screw M6x45	1	0,55

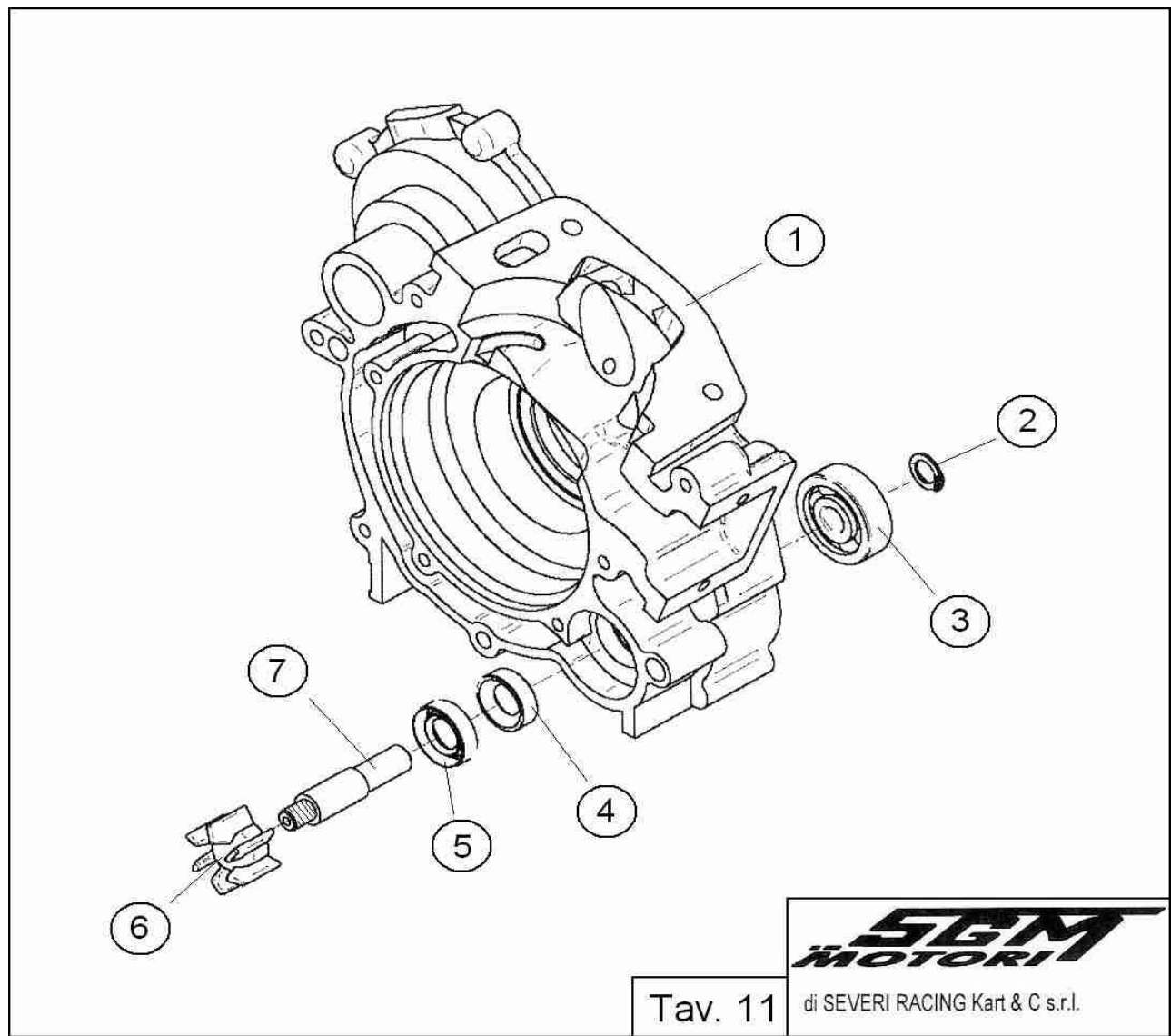


SL207/208 TAG REED VALVE MOTOR 125cc

n°	Code	Description	Qty.	Price €
1	F196.556	Gearbox Breather	1	8,01
2	SL207.063	Crankcase Screw M6X45	1	0,55
3	L198.004	Reed Valve Petal (Carbon fibre)	2	39,40
4	L198.023	Petal Stopper	2	5,63
5	SL207.075	Reed Valve Complete (Without duct) SL 207	1	107,91
6	SL207.039	Reed Valve Duct TAG	1	88,20
7	SL207.086	Reed Valve Duct Screw 6x16 TAG	4	0,54
8	SL207.082	Reed Valve Gasket (Inlet Rubber Gasket)	3	5,51
9	SL207.063	Crankcase Screw M6X45	1	0,55
10	F196.953	Pulse Pump Adaptor	1	6,09
11	F196.615	Water Hose Fitting (Short)	1	8,27
12	SL207.063	Crankcase Screw M6X45	1	0,55
	SL207.085	Inlet Bushing Tag	1	9,92

TAV. 10-1

n°	Code	Description	Qty.	Price €
1	F196.566	Coil Mounting Washer M6x12	4	0,25
2	SL207.815	Screw 8x15	2	1,72
3	F196.613	Inlet Rubber (Rotary Valve)	1	37,22
4	L198.021	Reed Valve Gasket (Inlet Rubber Gasket)	1	3,31
5	SL207.039	Reed Valve Duct TAG	1	88,20
6	L198.007	Reed Valve Complete (Without duct)	1	139,85
7	L198.022	Reed Valve Petal (Standard)	2	21,00
7	L198.004	Reed Valve Petal (Carbon fibre)	2	39,40
8	SL207.081	Reed Valve Leaf Spring	2	10,50
9	L198.023	Petal Stopper	2	5,63
10	L198.650	Reed Valve Screw M 3x36	6	0,47
	F196.717	Carburettor Hose Clamp	1	2,99

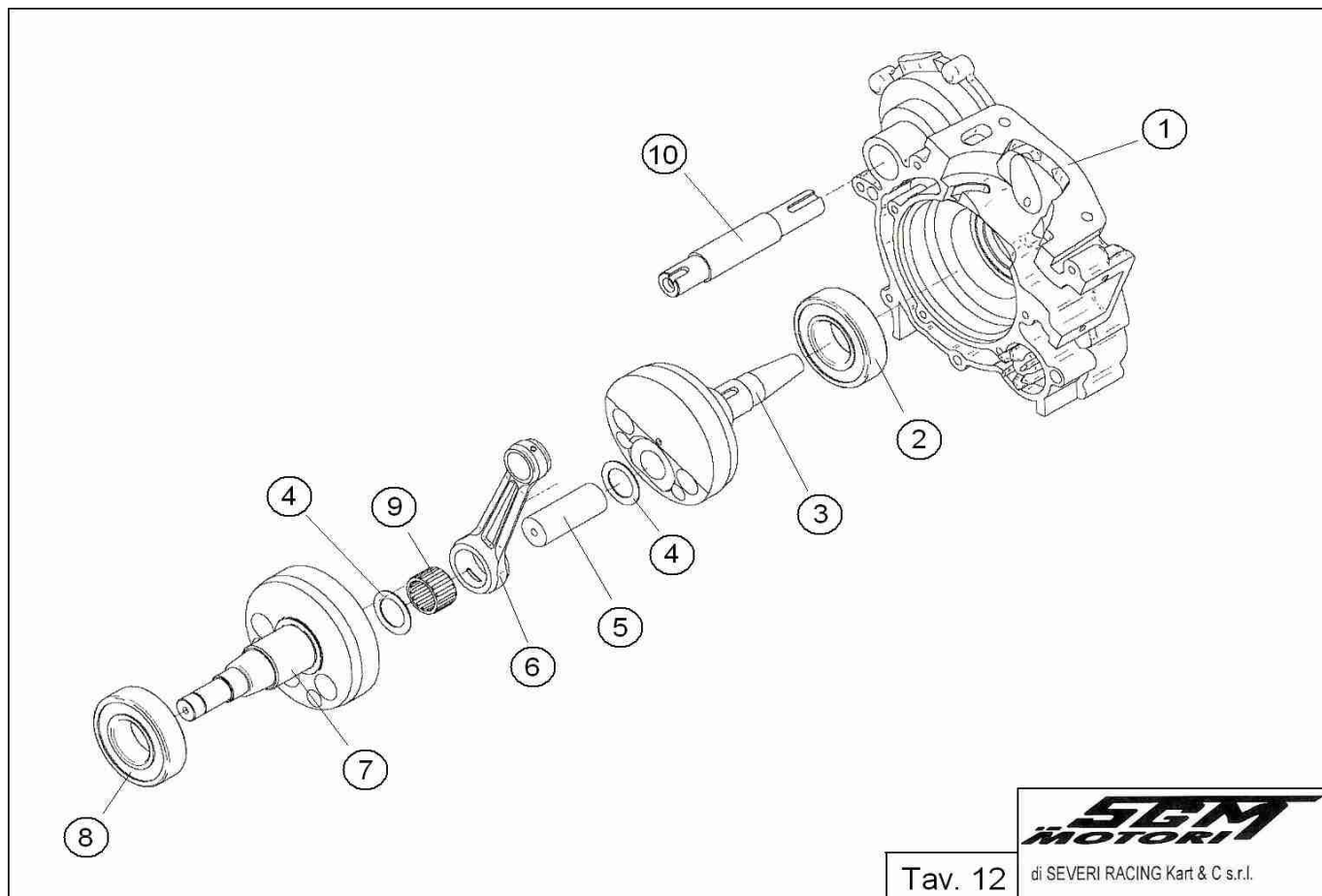


Tav. 11

di SEVERI RACING Kart & C s.r.l.

SL207/208 TAG REED VALVE MOTOR 125cc

n°	Code	Description	Qty.	Price €
1	SL207.002	Crankcase, Ignition Side, SL207 TAG	1	350,86
2	SL207.056	Water Pump Bearing Circlip	1	2,90
3	SL207.057	Water Pump Bearing	1	13,19
4	SL207.058	Water Pump Oil Seal 12/22/6	1	7,68
5	SL207.059	Water Pump Oil Seal 12/24/7	1	9,40
6	SL207.060	Water Pump Impeller	1	9,17
7	SL207.061	Water Pump Shaft	1	29,24

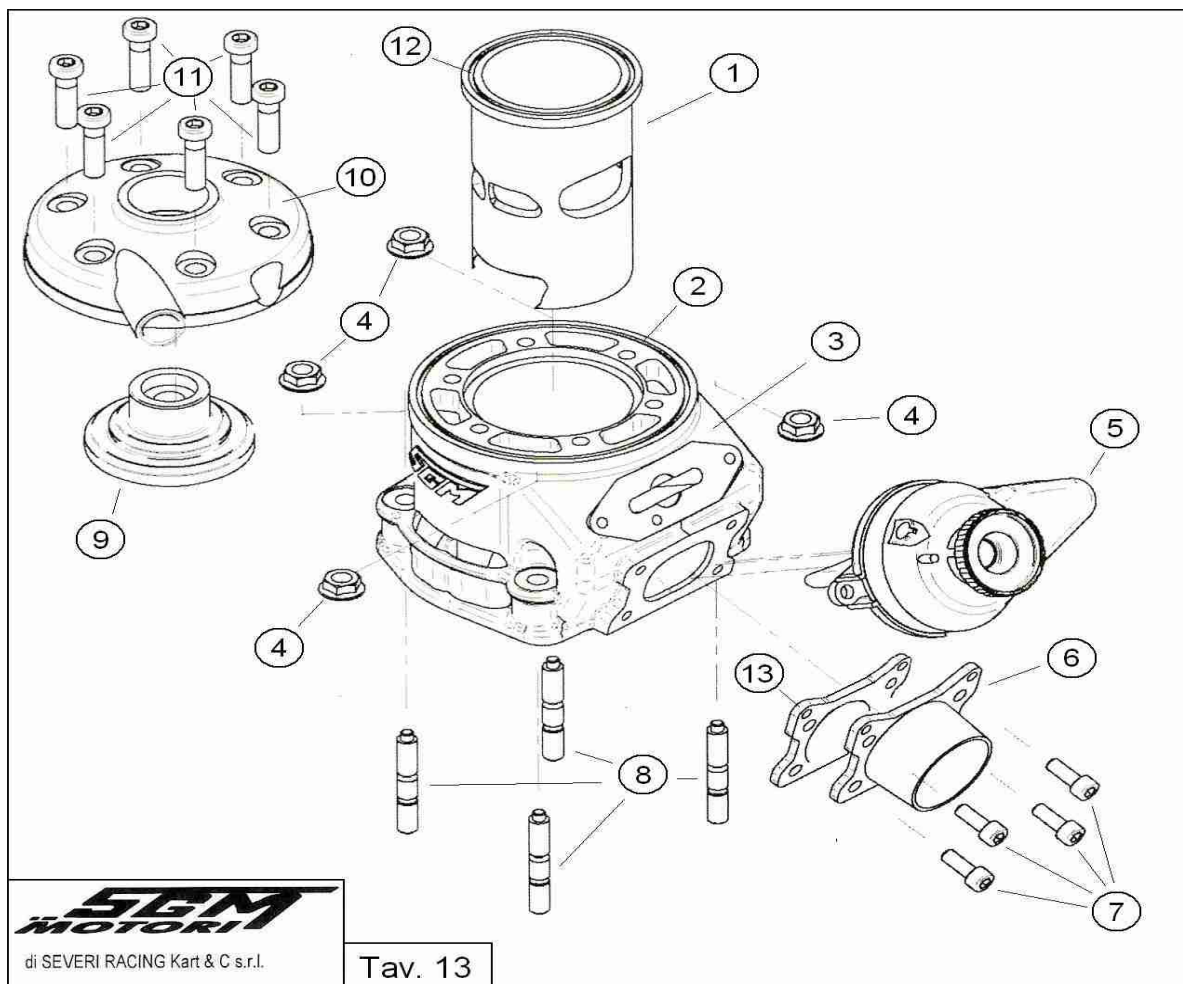


Tav. 12

SGM
MOTORI
di SEVERI RACING Kart & C s.r.l.

SL207/208 TAG REED VALVE MOTOR 125cc

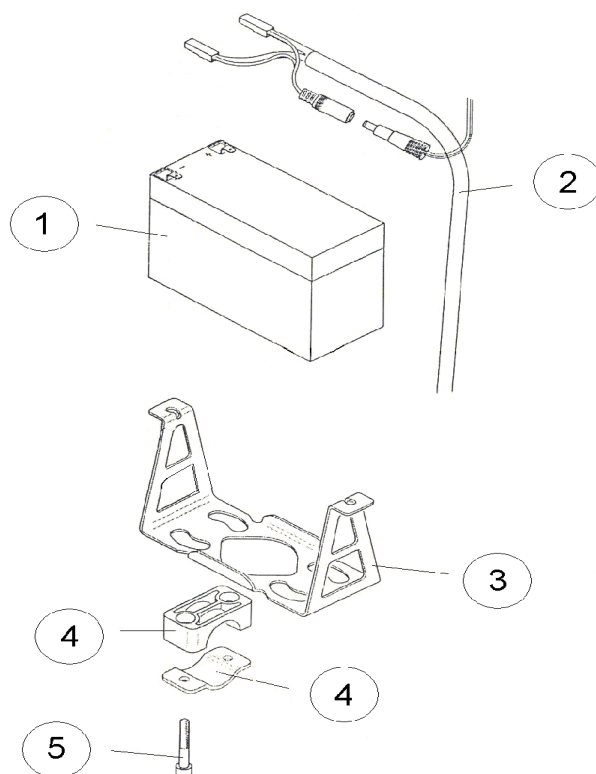
n°	Code	Description	Qty.	Price €
1	SL207.002	Crankcase, Ignition Side, SL207 TAG	1	350,86
2	SL207.6206	Crankshaft Bearing 6206 SL207 TAG	1	22,06
3	SL207.018	Crankshaft Clutch Side SL 207 TAG	1	215,12
4	F196.705	Silver Plated Thrust Washer (20mm)	2	10,32
5	F196.702	Crankshaft Pin (20mm)	1	23,10
6	F196.20113	Connecting Rod 20x113mm	1	178,61
6	F196.20113C	Connecting Rod 20x113mm Complete	1	271,15
7	SL207.120	Crankshaft Ignition Side SL 207 TAG	1	215,12
	SL207.120C	Crankshaft Assembly Complete with Rod SL 207 TAG	1	530,66
8	SL207.6206	Crankshaft Bearing 6206 SL207 TAG	1	22,06
9	F196.707	Silver Plated Crankshaft Pin Bearing (20mm)	1	49,07
10	SL207.013	Rocker Shaft	1	75,68



Tav. 13

SL207/208 TAG REED VALVE MOTOR 125cc

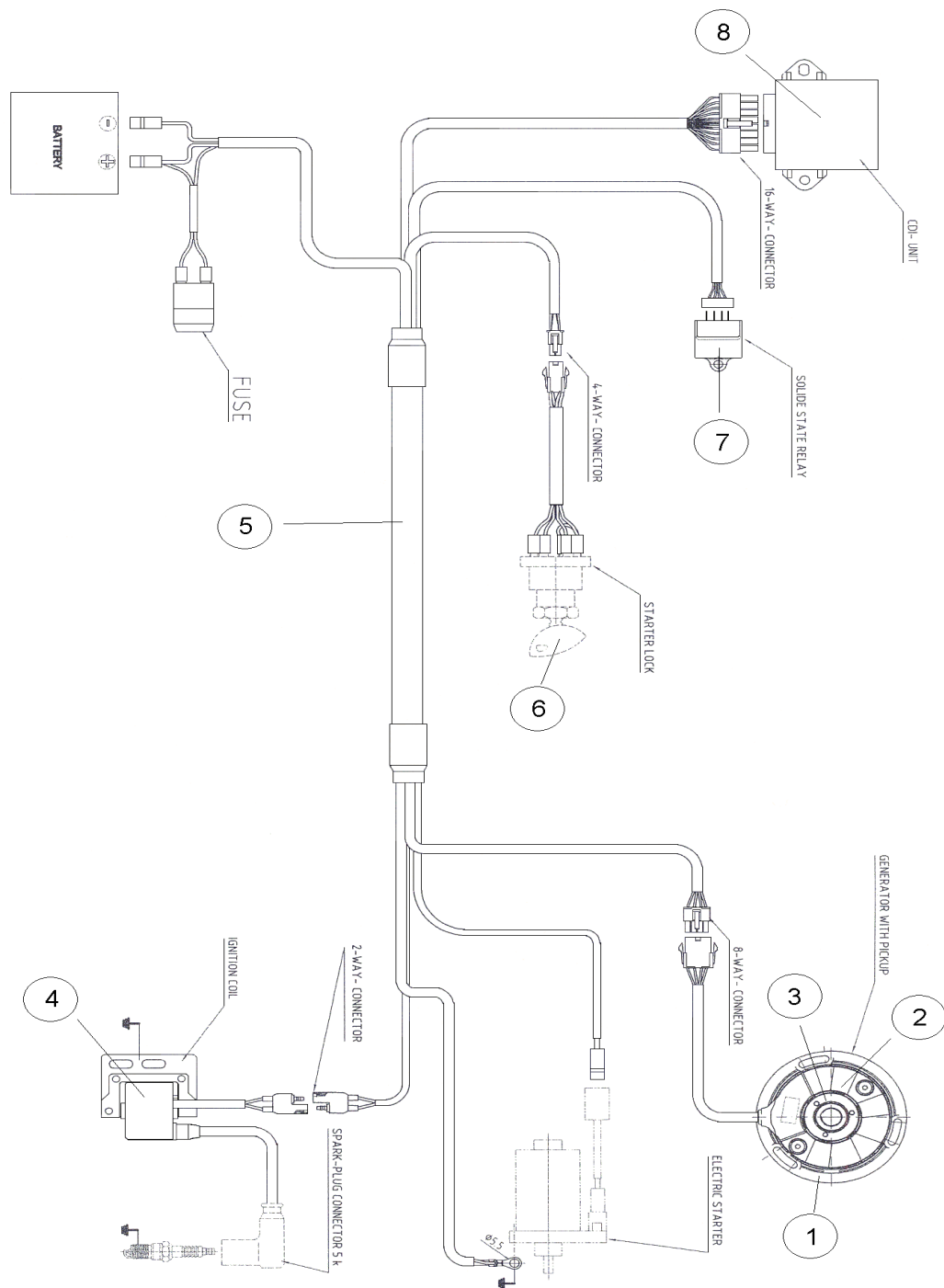
n°	Code	Description	Qty.	Price €
1	SL207.064	Cylinder Liner SL 207 TAG	1	210,97
2	F196.735	Cylinder O Ring 2400 External	1	3,39
3	SL207.100	Cylinder SL 207 TAG	1	830,00
4	F196.733	Cylinder Base Nut	4	3,11
5	SL207.046	Exhaust Valve	1	179,71
6	SL204.504	Exhaust Manifold SL 204	1	35,25
7	GA207.612	Exhaust Manifold Screw M6x12	4	0,54
8	F196.726	Crankcase/Cylinder Stud	4	2,98
9	SL204.800IA	Aluminium Cylinder Head Insert SL 204 Type 2005	1	53,40
10	SL204.800A	Cylinder Head SL 204 Type 2005 Allum. Insert	1	196,58
11	SL207.830	Cylinder Head Screw M8x30	6	2,86
12	F196.734	Cylinder O Ring 2237/2257 Internal	1	3,52
13	F196.502	Exhaust Manifold Gasket	1	2,30



Tav. 14 **SEM** MOTORI
di SEVERI RACING Kart & C.s.r.l.

SL207/208 TAG REED VALVE MOTOR 125cc

n°	Code	Description	Qty.	Price €
1	SL207.400	Battery 12V 9 Ah	1	71,66
2	SL207.401	Wire Battery	1	0,00
3	SL207.402	Battery Mounting	1	24,26
4	SL207.403	Connector Chassis/Battery	1	13,23
5	SL207.404	Connector Screw	2	0,54



KF1/ KF2/KF3 IGNITION

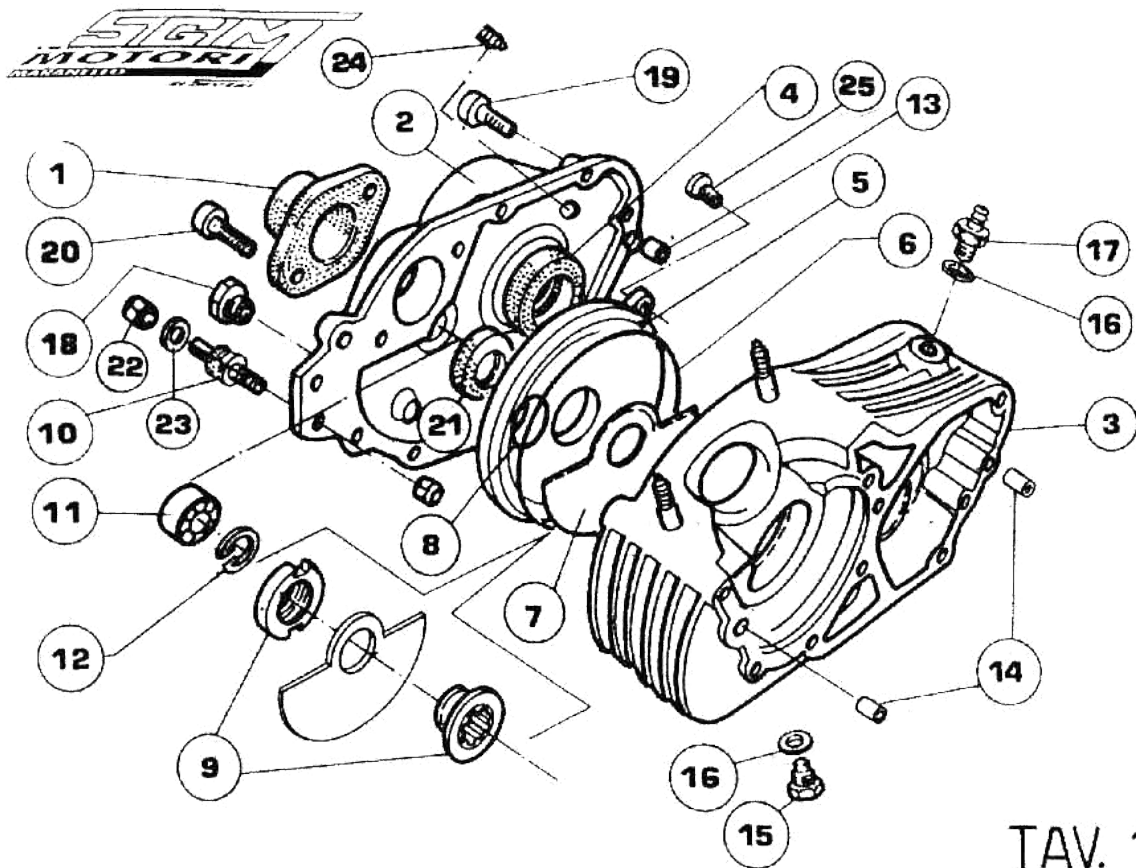
n°	Code	Description	Qty.	Price €
1	SL207.320	Mountig Stator Selettra KF1	1	22,05
2	SL207.301	Stator Incl. Generator PVL KF1	1	99,23
2	SL207.321	Stator Incl. Generator Selettra KF1	1	99,23
3	SL207.302	Rotor PVL KF1	1	44,10
3	SL207.322	Rotor Selettra KF1	1	44,10
4	SL207.303	Ignition Coil PVL KF1	1	33,08
4	SL207.323	Ignition Coil Selettra KF1	1	33,08
5	SL207.304	Wire Harness PVL KF1	1	77,18
5	SL207.324	Wire Harness Selettra KF1	1	77,18
6	SL207.305	Starter Lock PVL KF1	1	44,10
6	SL207.325	Starter Lock Selettra KF1	1	44,10
7	SL207.307	Starter Relay PVL KF1	1	33,08
7	SL207.327	Starter Relay Selettra KF1	1	33,08
8	SL207.306	Cdi Unit PVL KF1/KF2/KF3/KF4	1	99,23
8	SL207.326	Cdi Unit Selettra KF1/KF2/KF3/KF4	1	99,23



SEVERI RACING KART & C. S.r.l.
 Via Musso, 35
 41053 Maranello (MO) - Italy
 Tel 0536/940234 - Fax 0536/944095
www.sgm-engines.com
 E-mail : info@sgm-engines.com
 E-mail: severi.sgm@tiscalinet.it

F196 125 cc ROTARY VALVE

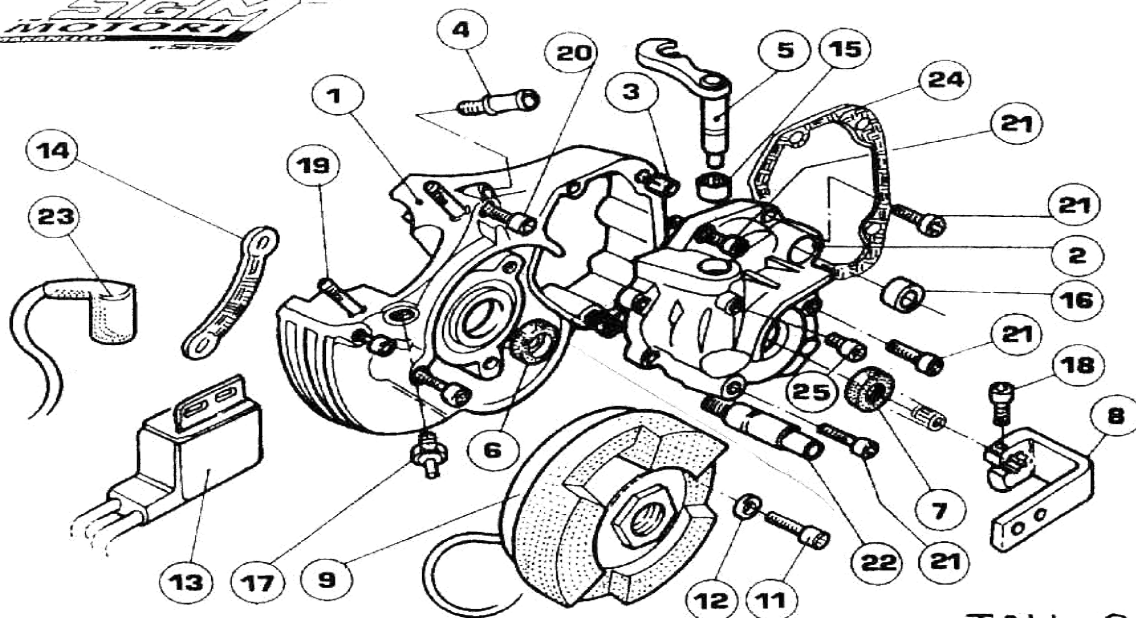
FACTORY	SEVERI RACING KART & C. S.r.l.
TRADE - MARK	SGM
MODEL	F196
BORE	54,08
STROKE	54,40
MAX CIL.	124,96
CYLINDER COOLING SYSTEM	WATER
CASING COOLING SYSTEM	WATER
INTAKE SYSTEM	ROTARY VALVE
CYLINDER NR.	1
TRANSFER DUCTS, CYLINDER/SUMP NR	5 x CYLINDER
EXHAUST PORTS/DUCTS NR	3 x CYLINDER
CYLINDER MATERIAL	ALUMINIUM ALLOY + NICASIL
CONNECTING ROD	NR. 1 Long 113
NR PISTONS	1
IGNITION	PVL
NR. CARBURETTORS	1 CARBURETTOR 30VHSH
GEAR BOX	6 DRIVE



TAV. 1

F196 ROTARY VALVE MOTOR 125cc

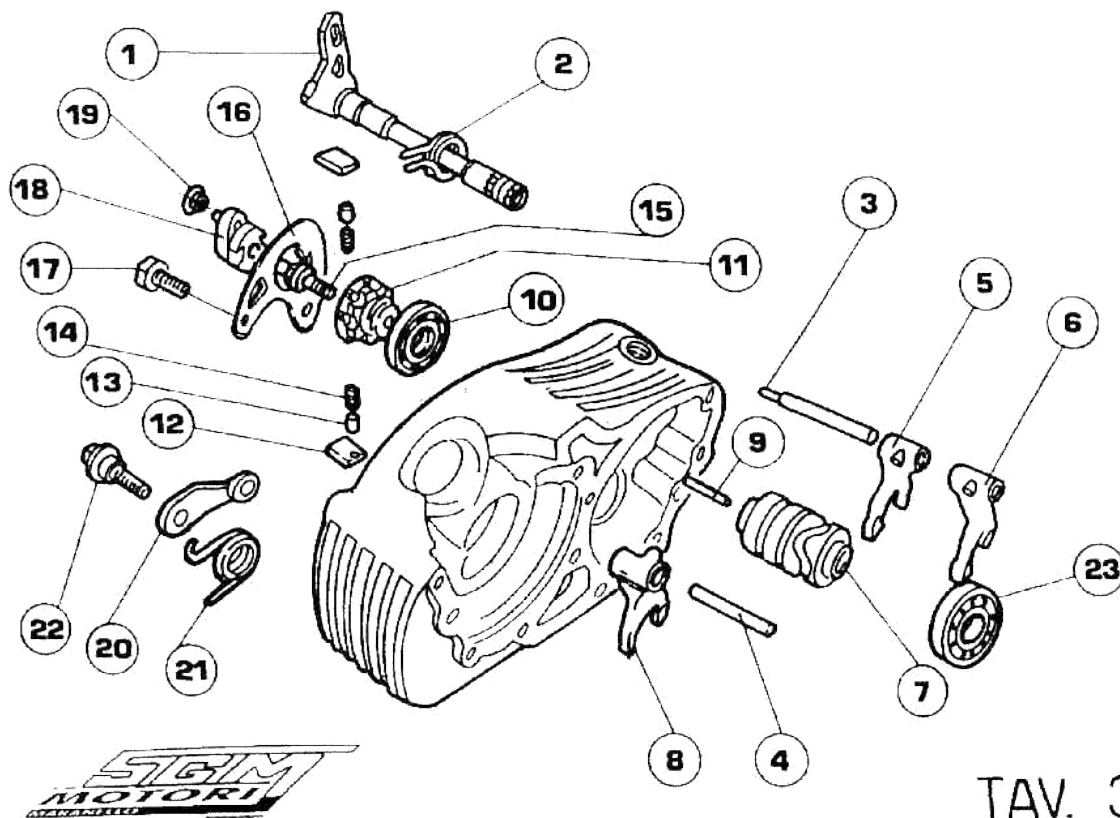
n°	Code	Description	Qty.	Price €
1	F196.613	Inlet Rubber (Rotary Valve)	1	37,22
2	F196.103	Clutch Casing (Rorary Valve)	1	142,98
3	F196.101	Crankcase, Rotary Valve, Clutch Side, F196	1	411,51
	F196.101/102	Crankcase (2 pieces) Rotary Valve, F196	2	823,03
4	F196.110	Clutch Casing/Final Drive Oil Seal 55/63/5	1	9,68
5	F196.519	Rotary Valve Cover (Aluminium)	1	139,96
5	F196.520	Rotary Valve Cover (Bronze)	1	145,00
6	F196.711	Rotary Valve Cover O Ring 2500 Internal	1	3,93
7	F196.027	Rotary Valve Steel	1	33,05
7	F196.028	Rotary Valve Carbon Fibre	1	79,40
8	F196.710	Rotary Valve Cover O Ring 2162 External	1	2,30
9	F196.029	Rotary Valve Carrier and Nut	1	39,45
10	F196.557	Coil Mounting Silentbloc	1	12,58
11	F196.1516	Outrigger Bearing Nk 1516	1	19,64
12	F196.709	Outrigger Bearing Circlip Nk 1516	1	1,96
13	F196.131	Crankcase Dowel 14x9	2	1,69
14	F196.130	Crankcase Dowel 16x11	2	2,03
15	F196.549	Gearbox Drain Plug (Magnetized)	1	10,90
16	F196.562	Drain Plug Washer	1	0,48
17	F196.556	Gearbox Breather	1	8,01
18	F196.550	Oil Level Plug	1	3,12
19	F196.951	Clutch Casing Screw M6x25	7	0,54
19	F196.950	Clutch Casing Screw M6x35	2	0,54
20	F196.954	Inlet Rubber Screw M8x16 Rotary Valve	2	0,64
21	F196.712	Crankshaft Oil Seal Clutch Side 20/35/7	1	17,22
21	F196.712V	Crankshaft Oil Seal Clutch Side 20/35/7 VITON	1	16,77
22	F196.565	Coil Mounting Bolt M6	2	0,26
23	F196.566	Coil Mounting Washer M6x12	1	0,25
24	F196.564	Gear Change Shaft Adjust Screw M6x25	1	0,37
25	F196.563	Rotary Valve Cover Screw M6x14	2	0,48
	F196.717	Carburettor Hose Clamp	1	2,99



TAV. 2

F196 ROTARY VALVE MOTOR 125cc

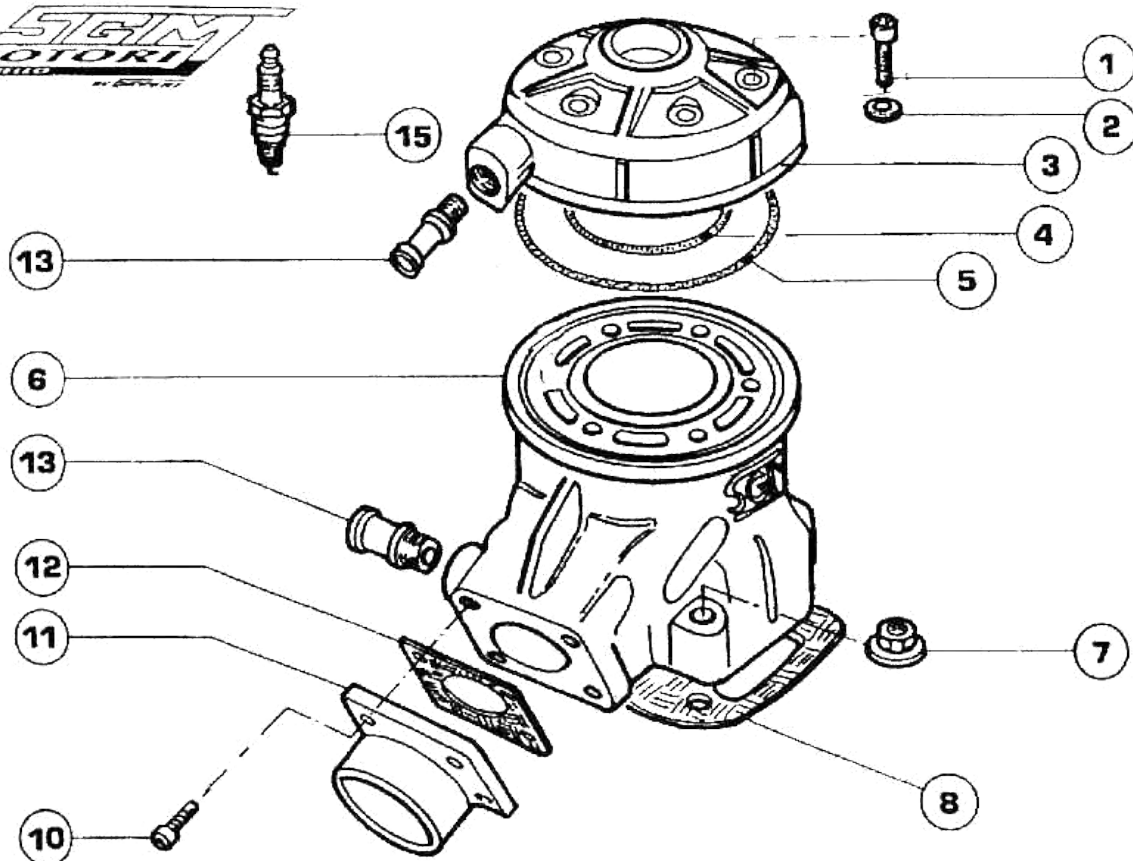
n°	Code	Description	Qty.	Price €
1	F196.102	Crankcase, Rotary Valve, Ignition Side, F196	1	411,51
2	F196.104	Gearbox Casing	1	151,09
3	F196.131	Crankcase Dowel 14x9	2	1,69
4	F196.615	Water Hose Fitting (Short)	1	8,27
5	F196.760	Clutch Actuating Lever	1	51,45
6	F196.712	Crankshaft Oil Seal Ignition Side 20/35/7	1	17,22
7	F196.739	Output (Secondary) Shaft Oil seal 30/20/5	1	8,91
8	F196.250	Gear Change Lever (Outside)	1	21,03
9	F196.300	Ignition PVL (Complete)	1	253,70
11	F196.721	Ignition Stator Screw M5x35	2	0,54
11	F196.756	Ignition Stator Screw M5x25	1	0,54
12	F196.722	Ignition Stator Washer	1	0,25
13	F196.302	Ignition Coil (PVL)	1	85,38
13	F196.796	Ignition Coil (Selettra)	1	85,38
14	F196.718	Earth Strap	1	4,87
15	F196.765	Clutch Actuating Lever Bearing HK14/14RS	1	11,97
16	F196.758	Gear Change Lever Oil Seal 22/12/7	1	6,07
17	F196.953	Pulse Pump Adaptor	1	6,09
18	F196.951	Clutch Casing Screw M6x25	1	0,54
19	F196.726	Crankcase/Cylinder Stud	4	2,98
20	F196.723	Crankcase Screw M6x40	1	0,54
20	F196.724	Crankcase Screw M6x45	6	0,54
20	F196.978	Crankcase Screw M6x55	2	0,54
20	F196.979	Crankcase Screw M6x60	1	0,54
20	F196.977	Crankcase Screw M6x70	1	0,54
21	F196.951	Clutch Casing Screw M6x25	1	0,54
21	F196.723	Crankcase Screw M6x40	2	0,54
21	F196.724	Crankcase Screw M6x45	1	0,54
21	F196.979	Crankcase Screw M6x60	3	0,54
22	F196.616	Water Hose Fitting (Long)	1	10,22
23	ATT.CAND	Ngk Plug Cap	1	21,73
23	GA207.802	Special Plug Cap	1	100,00
23	F196.801	Standard Plug Cap	1	15,50
23	F196.835	Champion Plug Cap	1	10,16
24	F196.910	Gearbox Casing Gasket	1	2,17
25	F196.561	Clutch Actuating Lever Screw M4x10	1	0,54



TAV. 3

F196 ROTARY VALVE MOTOR 125cc

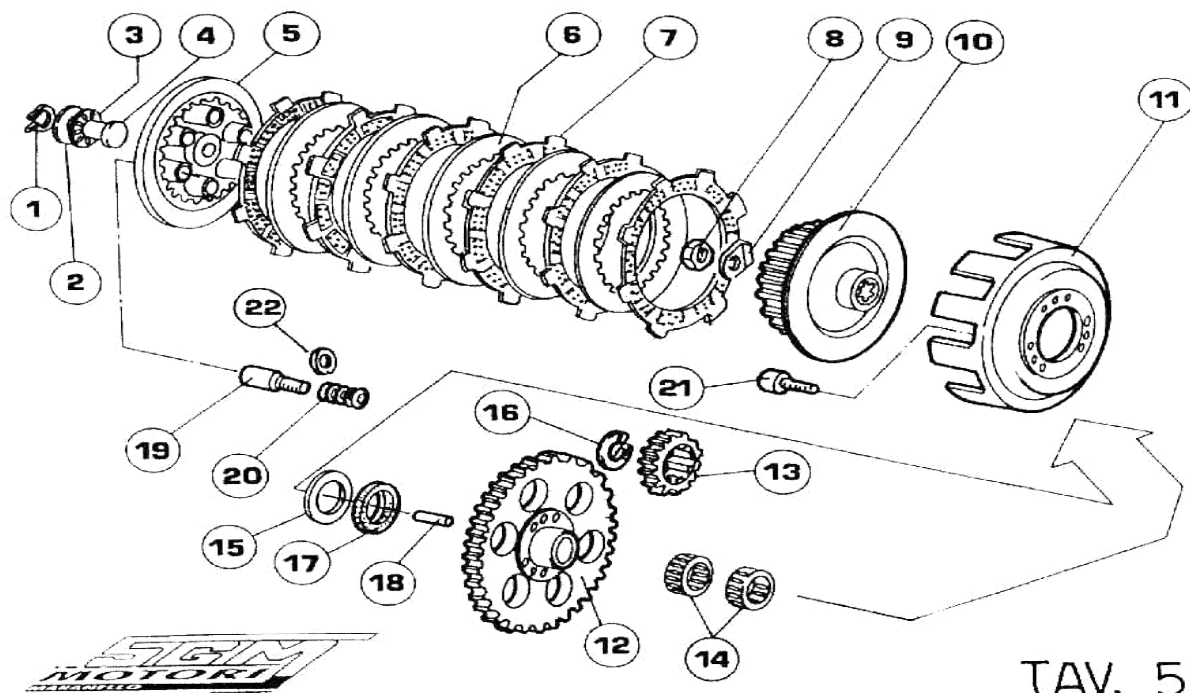
n°	Code	Description	Qty.	Price €
1	F196.755	Gear Change Shaft (Inside)	1	35,50
2	F196.107	Gear Change (Inside) Return Spring	1	9,98
3	F196.021	Selector Fork Shaft 117mm long	1	7,45
4	F196.022	Selector Fork Shaft 71mm long	1	7,45
5	F196.014	Selector Fork 5th Gear Output Shaft	1	55,79
6	F196.015	Selector Fork 6th Gear Output Shaft	1	58,65
7	F196.019	Cam Barrel	1	71,00
8	F196.013	Selector Fork 3rd/4th Gear Input Shaft	1	53,81
9	F196.955	Cam Barrel Pin 4x8	1	9,28
10	F196.61905	Cam Barrel Bearing Clutch Side 61905	1	24,38
11	F196.741	Ratchet	1	55,60
12	F196.786	Transfer Shaft Pad	2	6,91
13	F196.784	Locating Dowel	2	5,02
14	F196.785	Pad Locating Dowel Spring	2	1,15
15	F196.748	Cam Barrel Locating Bolt	1	16,12
16	F196.050	Cam Barrel Retaining Plate	1	31,80
17	F196.783	Retaining Plate (Cam Barrel) Screw M6x15	2	0,55
18	F196.742	Transfer Shaft	1	69,00
19	F196.956	Shaft Pivot	1	9,08
20	F196.740	Selector Lever	1	20,25
21	F196.106	Selector Lever Spring	1	3,50
22	F196.804	Selector Lever Locating Bolt	1	11,84
23	F196.61805	Cam Barrel Bearing Ignition Side 61805	1	16,25



TAV. 4

F196 ROTARY VALVE MOTOR 125cc

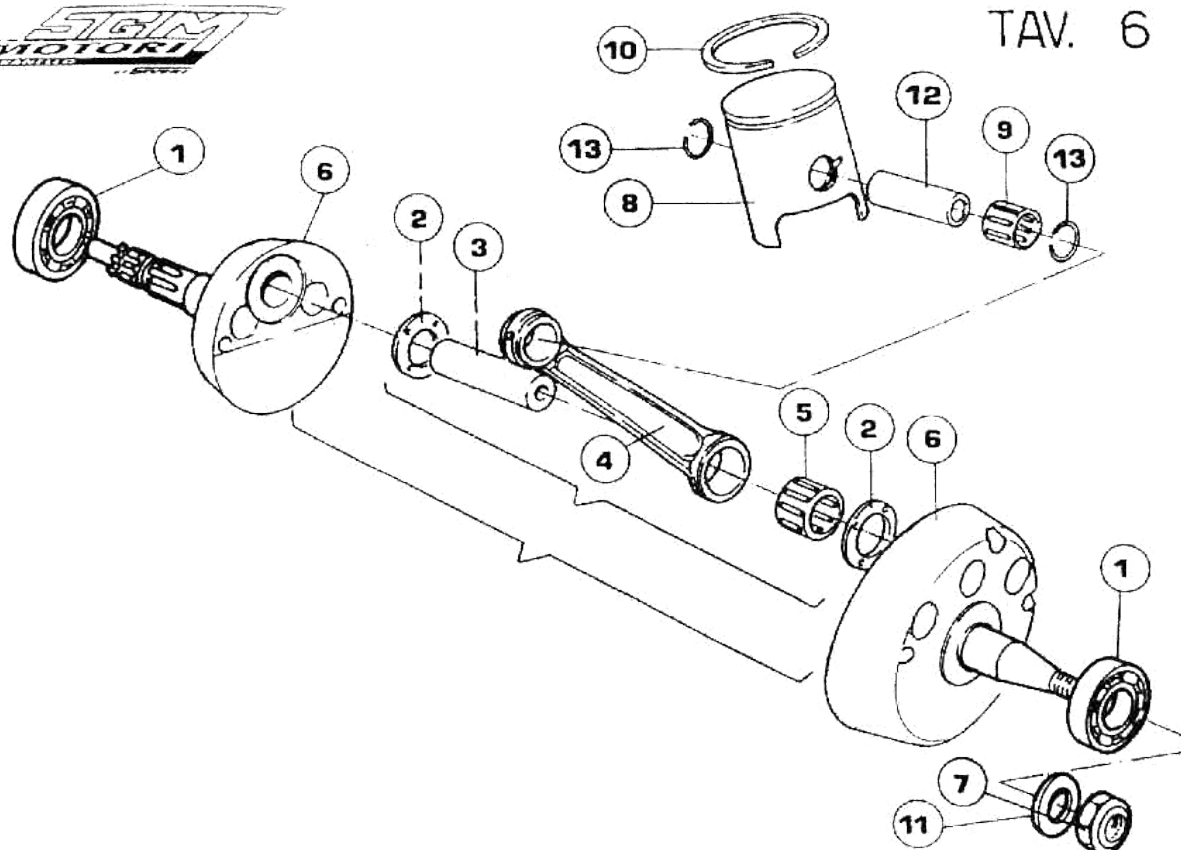
n°	Code	Description	Qty.	Price €
1	F196.731	Cylinder Head Screw M8x40	6	2,86
2	F196.732	Cylinder Head Washer	6	0,36
3	F196.800A	Cylinder Head With Aluminium Insert (F196/L198)	1	196,58
	F196.800IA	Aluminium Cylinder Head Insert F196/L198	1	53,17
4	F196.734	Cylinder O Ring 2237/2257 Internal	1	3,52
5	F196.735	Cylinder O Ring 2400 External	1	3,39
6	F196.100	Cylinder (Standard) F196 (Rotary Valve)	1	700,00
6	L198.100	Cylinder L198 (Reed Valve)	1	700,00
6	SL204.100	Cylinder SL 204 New Reed Valve	1	760,00
6	F196.100Sp	Cylinder (Prepared) F196 (Rotary Valve)	1	800,00
6	L198.100Sp	Cylinder, Reed Valve, Special, L198	1	860,00
6	SL204.100Sp	Cylinder SL 204 New Reed Valve (Prepared)	1	900,00
7	F196.733	Cylinder Base Nut	4	3,11
8	F196.020-010	Cylinder Base Gasket 0.1mm	1	1,50
8	F196.020-020	Cylinder Base Gasket 0.2mm	1	1,50
8	F196.020-030	Cylinder Base Gasket 0.3mm	1	1,50
8	F196.020-040	Cylinder Base Gasket 0.4mm	1	2,00
8	F196.020-050	Cylinder Base Gasket 0.5mm	1	2,00
10	F196.736	Exhaust Manifold Screw M6x16	4	0,54
11	F196.504	Exhaust Manifold	1	32,91
12	F196.502	Exhaust Manifold Gasket	1	2,30
13	F196.615	Water Hose Fitting (Short)	2	8,27
15	CAND.B	Spark Plug Bosch	1	9,35
15	CAND.CHAMP53	Spark Plug Champion 53	1	17,20
15	CAND.CHAMP	Spark Plug Champion C53Vc	1	62,62
15	NGK105C	Spark Plug NGK 105 Short	1	95,37
15	GA207.801	Spark Plug Denso	1	64,95
15	NGKB10EG	Spark Plug NGK B10EG	1	9,35



TAV. 5

F196 ROTARY VALVE MOTOR 125cc

n°	Code	Description	Qty.	Price €
1	F196.764	Clutch Seeger Ring 9mm	1	0,16
2	F196.762(10)	Clutch Release Pad Washer 10/24/2	3	8,27
3	SL204.515	Clutch Release Pad Thrust Bearing 10/24/2	3	7,19
4	F196.806	Clutch Release Pad 10/25/15	1	14,55
5	F196.202	Clutch Pressure Plate	1	47,50
5	F196.202/E	Clutch Pressure Plate (CNC Machined)	1	112,00
6	F196.108	Plain Clutch Plate (Aluminium)	5	8,02
6	F196.769	Plain Clutch Plate (Steel)	5	8,02
7	F196.109	Clutch Friction Plate	6	9,05
8	F196.771	Clutch Nut M14x1.00	1	4,91
9	F196.960	Clutch Locktab	1	1,41
10	F196.201/E	Clutch Centre Hub (CNC Machined)	1	143,00
11	F196.200	Clutch Drum	1	133,15
11	F196.200/E	Clutch Drum (CNC Machined)	1	160,90
12	F196.016	Clutch Gear Z67(Z18)	1	187,79
12	F196.045	Clutch Gear Z68(Z17)	1	187,79
12	F196.048	Clutch Gear Z65(Z19)	1	187,79
12	F196.051	Clutch Gear Z58(Z18)	1	187,79
13	F196.017	Primary Drive Gear Z18(Z67)	1	74,90
13	F196.042	Primary Drive Gear Z18(Z58)	1	74,90
13	F196.046	Primary Drive Gear Z17(Z68)	1	74,90
13	F196.049	Primary Drive Gear Z19(Z65)	1	74,90
14	F196.752	Clutch Gear Needle Bearing 20/24/13	2	7,25
15	F196.959	Final Drive Thrust Washer 17/30/3	1	4,50
16	F196.716	Front Sprocket Circlip 19 dia (Pull Chain)	1	0,41
17	F196.753	Clutch Gear Oil Seal 20/28/4	1	8,65
18	F196.961	Clutch Push Rod 6x20 (hardening)	3	2,30
19	F196.772	Clutch Spring Screw M5x35	5	1,77
20	F196.105	Clutch Spring	5	3,50
21	F196.962	Clutch Gear Screw M6x20	6	0,54
22	F196.773	Clutch Spring Washer	5	3,93

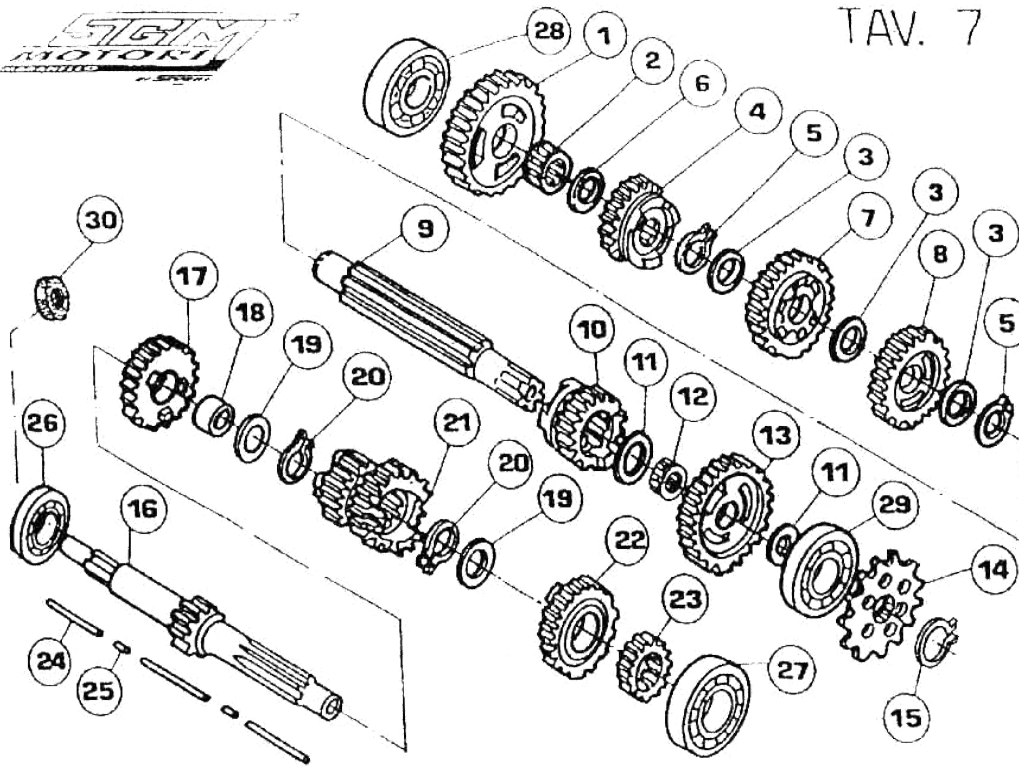


F196 ROTARY VALVE MOTOR 125cc

n°	Code	Description	Qty.	Price €
1	F196.6205	Crankshaft Bearing 6205	2	27,01
1	F196.6205S	Crankshaft Bearing 6205 (Special)	2	60,16
2	F196.705	Silver Plated Thrust Washer (20mm)	2	10,32
3	F196.702	Crankshaft Pin (20mm)	1	23,10
4	F196.20113	Connecting Rod 20x113mm	1	178,61
4	F196.20113C	Connecting Rod 20x113mm Complete	1	271,15
5	F196.707	Silver Plated Crankshaft Pin Bearing (20mm)	1	49,07
6	F196.018	Crankshaft (20mm) Rot.Valve Ignition Side	1	181,00
6	F196.120	Crankshaft (20mm) Rot.Valve Clutch Side	1	181,00
6	F196.120C	Crankshaft, Complete with Rod, F196	1	470,25
6	F196.018	Crankshaft (20mm) Rot.Valve Ignition Side	1	181,00
6	L198.120	Crankshaft Reed Valve Ignition Side, L198	1	185,36
6	L198.120C	Crankshaft, Complete with Rod, L198	1	477,42
7	F196.719	Ignition Rotor Nut	1	4,95
8	F196.5400	Piston Kit Complete	1	80,07
8	L198.5400	Piston Kit Complete	1	80,07
8	L198.5400P	Piston Kit Complete With Set Up	1	95,60
9	F196.730	Piston Pin Bearing 15/19/20	1	17,00
10	F196.SEGM5400	Piston Ring	1	19,30
11	F196.720	Ignition Rotor Washer	1	0,48
12	F196.698	Piston Pin	1	10,50
13	F196.699	Piston Pin Circlip	2	0,48



TAV. 7

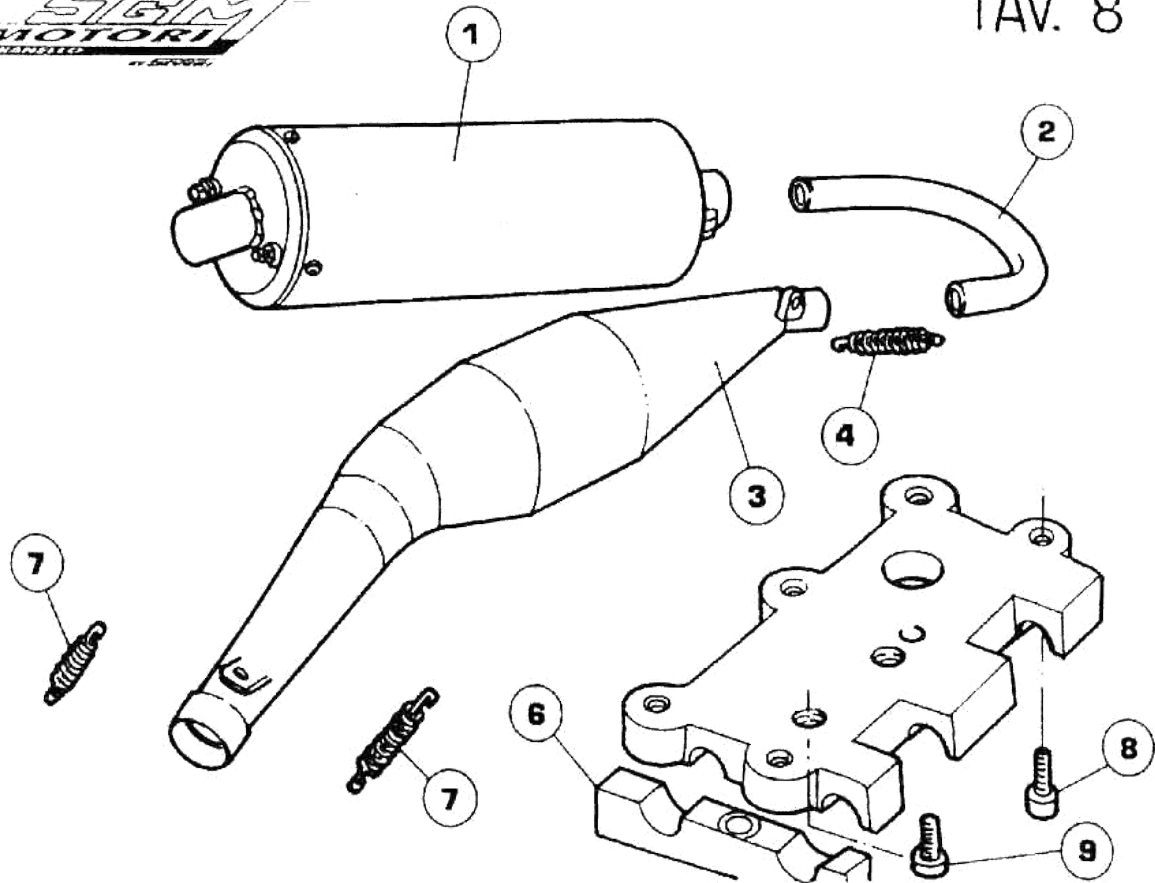


F196 GEARBOX PARTS

n°	Code	Description	Qty.	Price €
1	F196.006	1st Gear Output Shaft Z33 (Rotary Valve)	1	80,65
2	F196.750	Output Shaft Needle Bearing 17/21/10	1	6,43
3	F196.744	Output Shaft Thrust Washer 22/28/1	3	2,36
4	F196.010	5th Gear Output Shaft Z26 (Rotary/Reed)	1	90,56
5	F196.751	Output Shaft Circlip 21 dia.	2	0,54
6	F196.746	Output Shaft Thrust Washer 17/30/1	1	2,36
7	F196.008	3rd Gear Output Shaft Z29 (Rotary Valve)	1	90,56
8	F196.009	4th Gear Output Shaft Z27 (Rotary Valve)	1	90,56
9	F196.012	Output (Secondary) Shaft	1	96,12
10	F196.011	6th Gear Output Shaft Z23 (Rotary Valve)	1	90,56
11	F196.745	Input Shaft Thrust Washer 20/28/1	2	2,36
11	F196.747	Output Shaft Thrust Washer 28/24/20/3	1	4,66
12	F196.749	Output Shaft Needle Bearing 20/24/8	1	6,64
12	F196.970	Input Shaft Needle Bearing 20/24/10	1	6,64
13	F196.007	2nd Gear Output Shaft Z28 (Rotary/Reed)	1	90,56
14	F196.413	Front Sprocket Z13 (Pull Chain)	1	28,77
15	F196.716	Input Shaft Seeger Ring 19 mm	1	0,41
16	F196.001	Input (Primary) Shaft (Z14)	1	100,00
17	F196.004	5th Gear Input Shaft Z23 (Rotary/Reed)	1	90,56
18	F196.970	Input Shaft Needle Bearing 20/24/10	1	6,64
19	F196.745	Input Shaft Thrust Washer 20/28/1	2	2,36
20	F196.716	Front Sprocket Circlip 19 dia (Pull Chain)	2	0,41
21	F196.003	3rd/4th Gear Input Shaft Z19/21 (Rotary Valve)	1	113,75
22	F196.005	6th Gear Input Shaft Z24 (Rotary/Reed)	1	90,56
23	F196.002	2nd Gear Input Shaft Z15(Rotary/Reed)	1	76,52
24	F196.805	Clutch Push Rod 6x60 (hardening)	3	2,98
25	F196.961	Clutch Push Rod 6x20 (hardening)	2	2,30
26	F196.6204T	Gearbox Input Shaft Bearing Clutch Side 6204	1	13,33
27	F196.6203N	Gearbox Input Shaft Bearing Ignition Side 6203	1	12,52
28	F196.6203N	Gearbox Output Shaft Bearing Clutch Side 6203	1	12,52
29	F196.6204T	Gearbox Output Shaft Bearing Ignition Side 6204	1	13,33
30	F196.738	Input (Primary) Shaft Oil Seal 6/10/2	1	3,12

SPEED GEAR RATIO

PART No.	PART No.	Description	GEAR RATIO	GEAR RATIO	STAMP.	STAMP.
Input Shaft	Output Shaft	GEARBOX STD F196	Input shaft	Output shaft		
F196.001	F196.006	1st GEAR	14	33	S	S
F196.002	F196.007	2nd GEAR	15	28	S	S
F196.003	F196.008	3rd GEAR	19	29	S	S
F196.003	F196.009	4th GEAR	21	27	S	S
F196.004	F196.010	5th GEAR	23	26	S	S
F196.005	F196.011	6th GEAR	24	23	S	S
Clutch Gear	Primary drive	FINAL DRIVES	Clutch gear	Primary drive		
F196.016	F196.017	STANDARD 3,72	67	18	S	S
F196.045	F196.046	SHORT 4,00	68	17	A	A
F196.048	F196.049	LONG 3,42	65	19	B	B
F196.051	F196.042	LONG + 3,22	58	18	C	C



F196 ROTARY VALVE MOTOR 125cc

n°	Code	Description	Qty.	Price €
1	F196.5135	Silencer 5135 125cc	1	213,91
1	F196.5323	Silencer Carbon Fibre 125cc	1	163,73
1	F196.503	Aluminium Silencer (baffled)	1	140,94
2	F196.500TMS	Exsaust "U" Bend (Standard)	1	24,15
2	F196.905	Exsaust "U" Bend (Special)	1	29,90
3	F196.500	Expansion Chamber (Rotary/Reed)	1	227,11
3	F196.500S	Expansion Chamber Special (Rotary/Reed)	1	329,95
4	F196.506	Exhaust/U Bend Retaining Spring L. 51	1	4,30
4	F196.507	Exhaust/U Bend Retaining Spring L. 66	1	4,00
4	F196.508	Exhaust/U Bend Retaining Spring L. 107	1	4,60
5	F196.180	Aluminium Motor Mount (CNC Machined)	1	172,90
5	F196.182	Aluminium Motor Mount	1	133,97
6	F196.181	Motor Mount Lower Clamp (CNC Machined)	2	29,66
7	F196.506	Exhaust/U Bend Retaining Spring L. 51	1	4,30
7	F196.507	Exhaust/U Bend Retaining Spring L. 66	1	4,00
7	F196.508	Exhaust/U Bend Retaining Spring L. 107	1	4,60
8	F196.560	Engine Mount Screw M8x25	6	0,64
9	F196.569	Motor Mounting Lower Clamp Screw M10x40	2	0,54



SEVERI RACING KART & C. S.r.l.

Via Musso, 35

41053 Maranello (MO) - Italy

Tel 0536/940234 - Fax 0536/944095

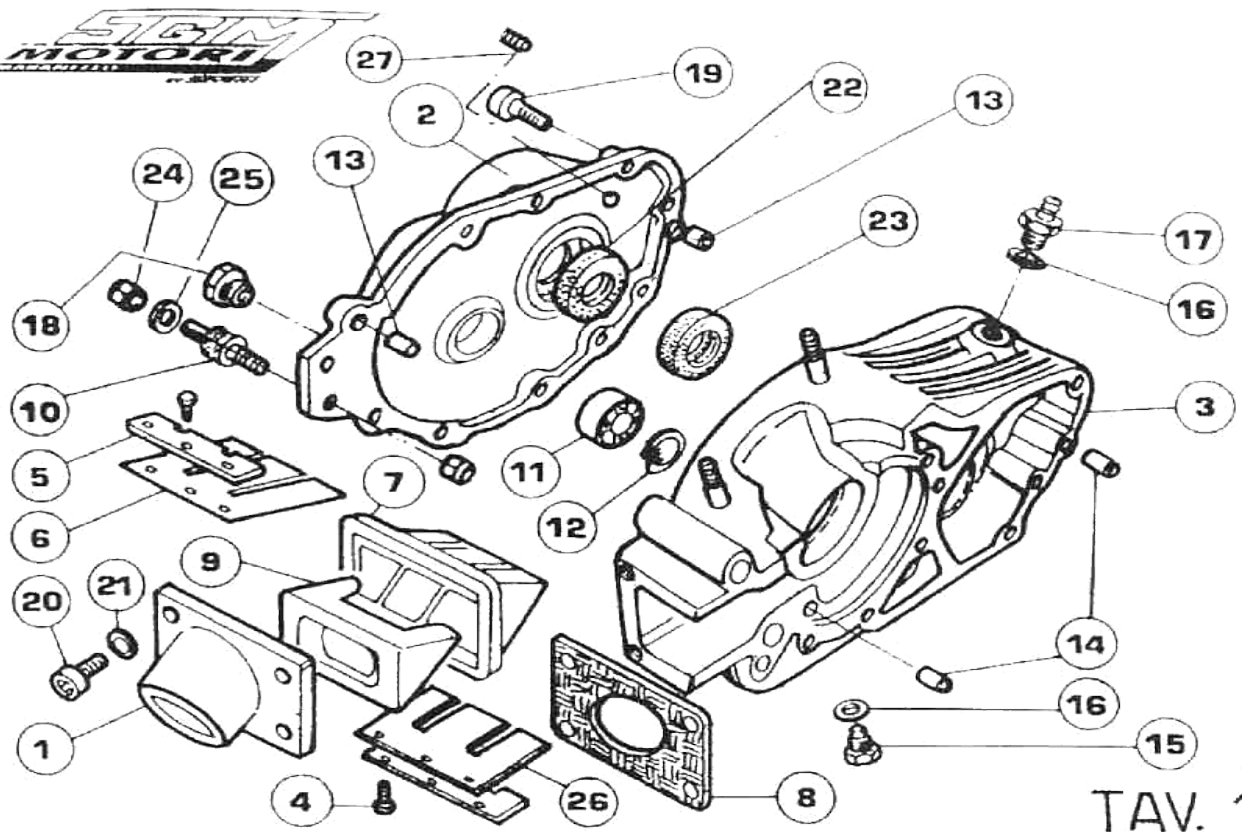
www.sgm-engines.com

E-mail : info@sgm-engines.com

E-mail: severi.sgm@tiscalinet.it

L198E – L198 125 cc REED VALVE

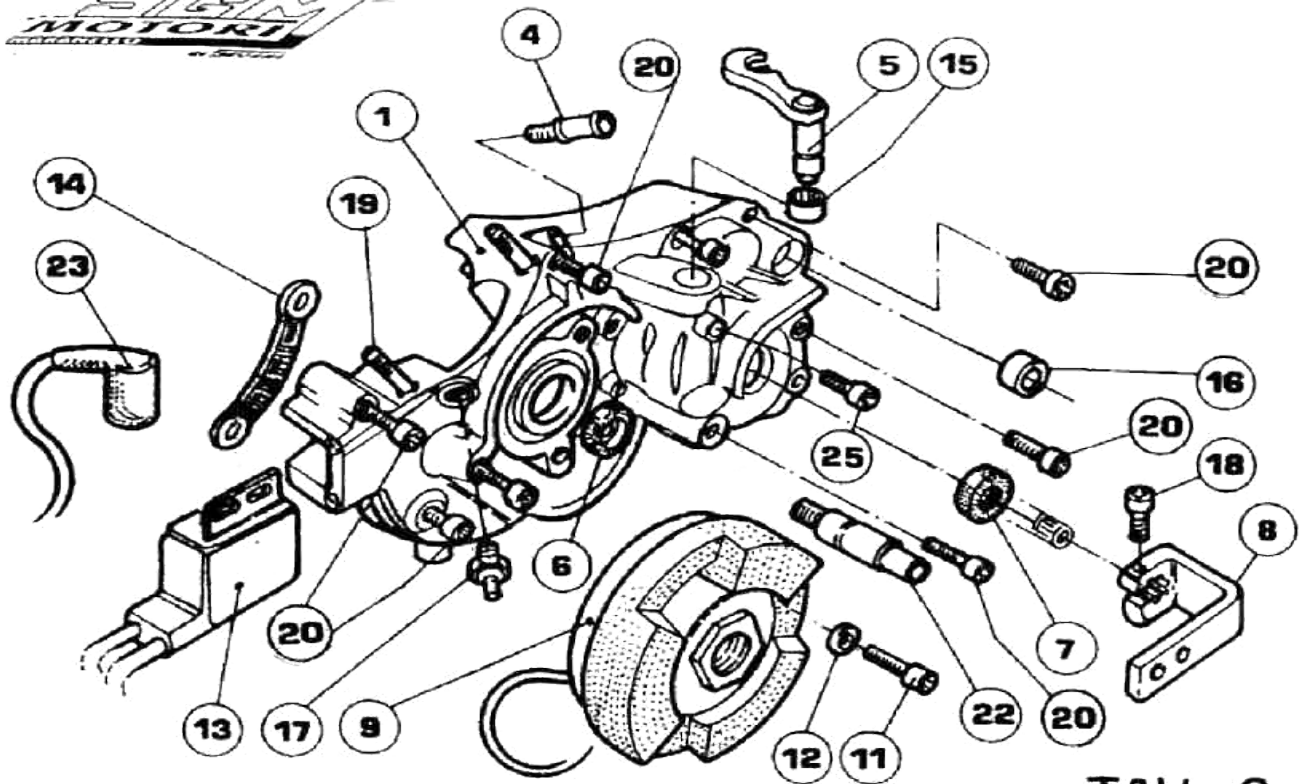
FACTORY	SEVERI RACING KART & C. S.r.l.
TRADE - MARK	SGM
MODEL	L198E – L198
BORE	54,08
STROKE	54,40
MAX CIL.	124,96
CYLINDER COOLING SYSTEM	WATER
CASING COOLING SYSTEM	WATER
INTAKE SYSTEM	REED VALVE
CYLINDER NR.	1
TRANSFER DUCTS, CYLINDER/SUMP NR	5 x CYLINDER
EXHAUST PORTS/DUCTS NR	3 x CYLINDER
CYLINDER MATERIAL	ALUMINIUM ALLOY + NICASIL
CONNECTING ROD	NR. 1 Long 113
NR PISTONS	1
IGNITION	PVL
NR. CARBURETTORS	1 CARBURETTOR 30VHSH
GEAR BOX	6 DRIVE



TAV. 1

L198 – L198E ROTARY VALVE MOTOR 125cc

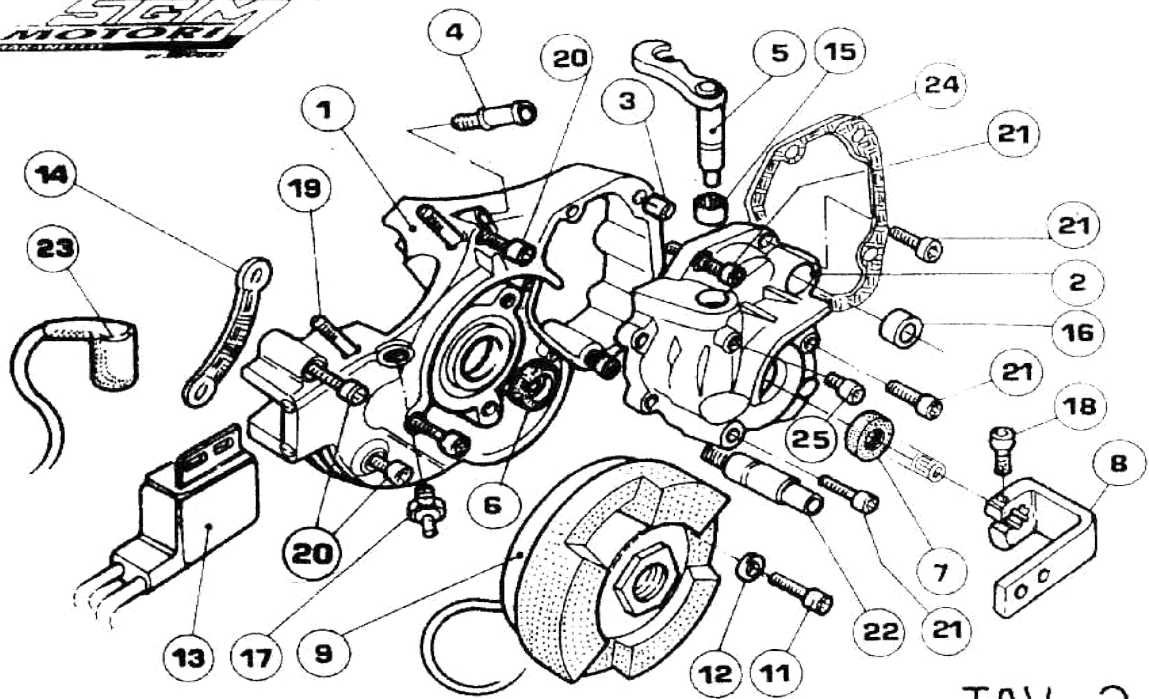
n°	Code	Description	Qty.	Price €
1	L198.613	Inlet Rubber (Reed Valve)	1	69,59
2	L198.003	Clutch Casing (Reed Valve)	1	125,91
3	L198.001	Crankcase, Reed Valve, Clutch Side, L198	1	383,09
	L198.001/002	Crankcase (2 pieces), Reed Valve, L198	2	766,17
4	L198.650	Reed Valve Screw M 3x36	6	0,47
5	L198.023	Petal Stopper	2	5,63
6	L198.022	Reed Valve Petal (Standard)	2	21,00
6	L198.004	Reed Valve Petal (Carbon fibre)	2	39,40
7	L198.007	Reed Valve Complete (Without duct)	1	139,85
8	L198.021	Reed Valve Gasket (Inlet Rubber Gasket)	1	3,31
9	L198.020	Reed Valve Duct	1	46,04
10	F196.557	Coil Mounting Silentbloc	1	12,58
11	F196.1516	Outrigger Bearing Nk 1516	1	19,64
12	F196.709	Outrigger Bearing Circlip Nk 1516	2	1,96
13	F196.131	Crankcase Dowel 14x9	2	1,69
14	F196.130	Crankcase Dowel 16x11	2	2,03
15	F196.549	Gearbox Drain Plug (Magnetized)	1	10,90
16	F196.562	Drain Plug Washer	1	0,48
17	F196.556	Gearbox Breather	1	8,01
18	F196.550	Oil Level Plug	1	3,12
19	F196.951	Clutch Case Allen Bolt 6x25	8	0,54
19	F196.950	Clutch Case Allen Bolt 6x35	2	0,54
20	F196.962	Reed Valve Intake Manifold Allen Bolt 6x20	4	0,54
21	F196.566	Coil Mounting Washer M6x12	4	0,25
22	F196.110	Clutch Casing/Final Drive Oil Seal 55/63/5	1	9,68
23	F196.712	Crankshaft Oil Seal Clutch Side 20/35/7	1	17,22
24	F196.565	Coil Mounting Bolt M6	2	0,26
25	F196.566	Coil Mounting Washer M6x12	1	0,25
26	L198.024	Reed Valve Leaf Spring std	2	11,90
27	F196.564	Gear Change Shaft Adjust Screw M6x25	1	0,37



TAV. 2

L198 ROTARY VALVE MOTOR 125cc

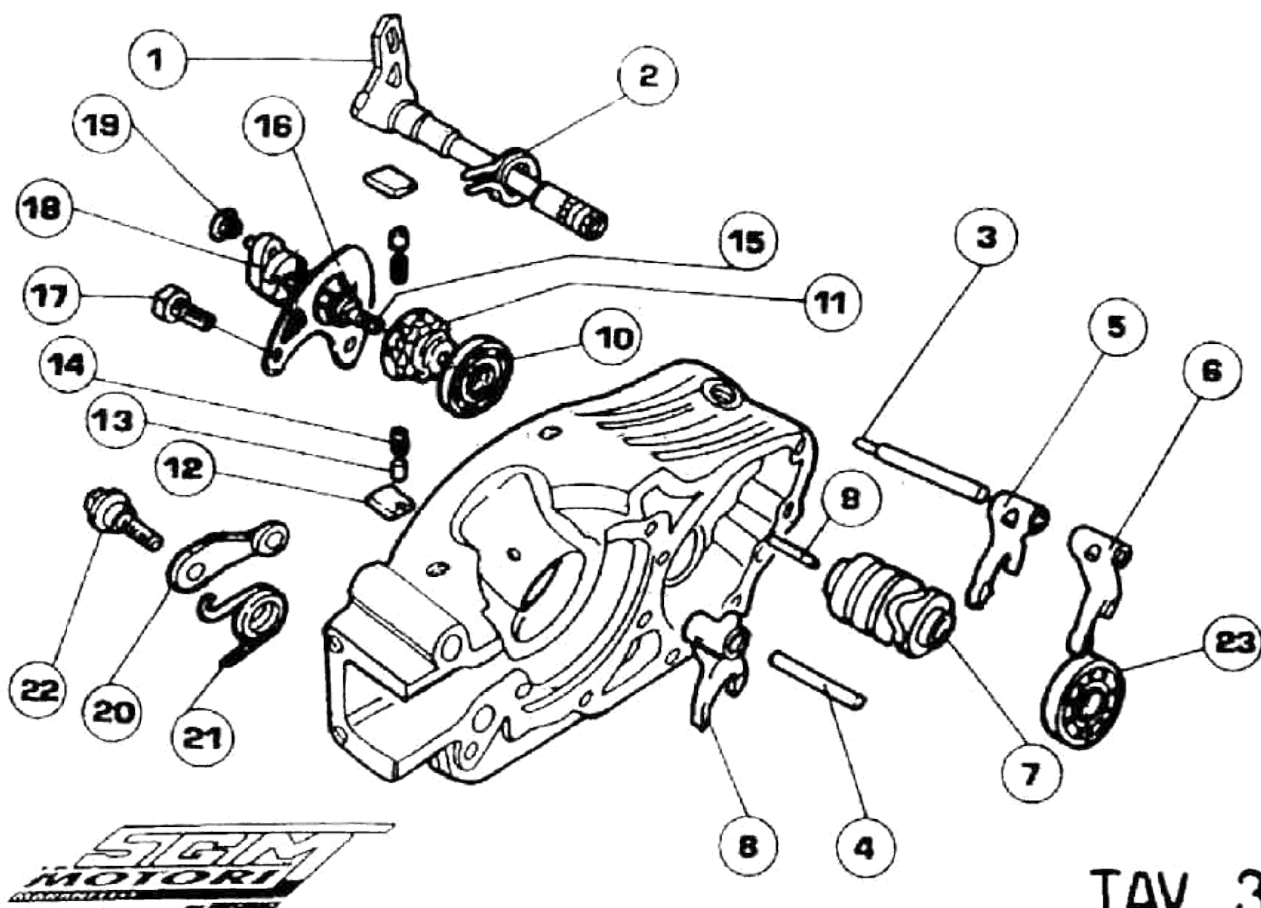
n°	Code	Description	Qty.	Price €
1	L198.002	Crankcase, Reed Valve, Ignition Side, L198	1	383,09
4	F196.615	Water Hose Fitting (Short)	1	8,27
5	F196.760	Clutch Actuating Lever	1	51,45
6	F196.712	Oil Seal Ignition Side 20/35/7	1	17,22
7	F196.739	Output (Secondary) Shaft Oil seal 30/20/5	1	8,91
8	F196.250	Gear Change Lever (Outside)	1	21,03
9	F196.300	Ignition PVL (Complete)	1	253,70
11	F196.721	Ignition Stator Screw M5x35	2	0,54
11	F196.756	Ignition Stator Screw M5x25	1	0,54
12	F196.722	Ignition Stator Washer	1	0,25
13	F196.302	Ignition Coil (PVL)	1	85,38
13	F196.796	Ignition Coil (Selettra)	1	85,38
14	F196.718	Earth Strap	1	4,87
15	F196.765	Clutch Actuating Lever Bearing HK14/14RS	1	11,97
16	F196.758	Gear Change Lever Oil Seal 22/12/7	1	6,07
17	F196.953	Pulse Pump Adaptor	1	6,09
18	F196.951	Clutch Casing Screw M6x25	1	0,54
19	F196.726	Crankcase/Cylinder Stud	4	2,98
20	L198.950	Crankcase Screw M6x30	1	0,55
20	F196.723	Crankcase Screw M6x40	1	0,54
20	F196.724	Crankcase Screw M6x45	6	0,54
20	F196.957	Crankcase Screw M6x50	2	0,54
20	F196.978	Crankcase Screw M6x55	1	0,54
20	F196.979	Crankcase Screw M6x60	3	0,54
20	F196.977	Crankcase Screw M6x70	1	0,54
22	F196.616	Water Hose Fitting (Long)	1	10,22
23	F196.801	Standard Plug Cap	1	15,50
23	F196.835	Champion Plug Cap	1	10,16
23	ATT.CAND	Ngk Plug Cap	1	21,73
23	GA207.802	Special Plug Cap	1	100,00
25	F196.561	Clutch Actuating Lever Screw M4x10	1	0,54



TAV. 2

L 198E REED VALVE GEAR BOX CASING REMOVABLE

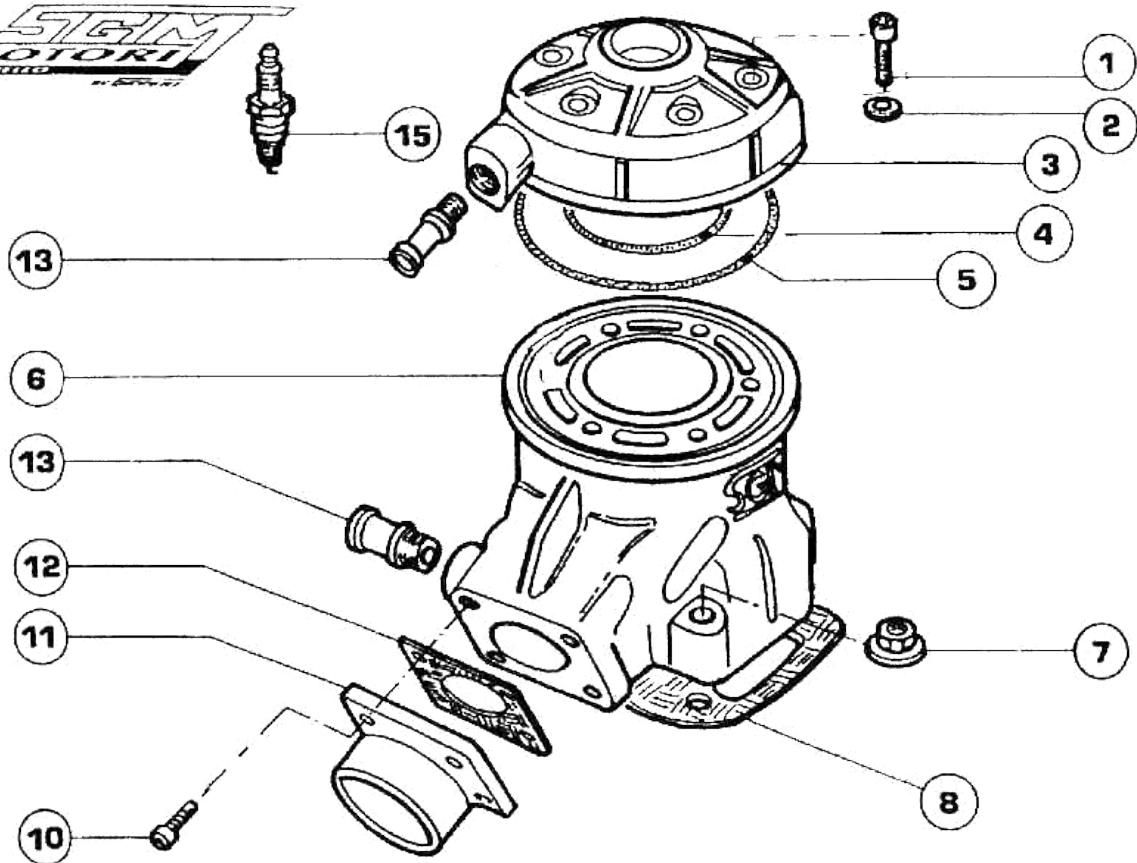
n°	Code	Description	Qty.	Price €
1	L198.002E	Crankcase, Reed Valve, Ignition Side, L198 E (Cassette)	1	411,34
2	F196.104	Gearbox Casing	1	151,09
3	F196.131	Crankcase Dowel 14x9	2	1,69
4	F196.615	Water Hose Fitting (Short)	1	8,27
5	F196.760	Clutch Actuating Lever	1	51,45
6	F196.712	Crankshaft Oil Seal Ignition Side 20/35/7	1	17,22
7	F196.739	Output (Secondary) Shaft Oil seal 30/20/5	1	8,91
8	F196.250	Gear Change Lever (Outside)	1	21,03
9	F196.300	Ignition PVL (Complete)	1	253,70
11	F196.721	Ignition Stator Screw M5x35	2	0,54
11	F196.756	Ignition Stator Screw M5x25	1	0,54
12	F196.722	Ignition Stator Washer	1	0,25
13	F196.302	Ignition Coil (PVL)	1	85,38
13	F196.796	Ignition Coil (Selettra)	1	85,38
14	F196.718	Earth Strap	1	4,87
15	F196.765	Clutch Actuating Lever Bearing HK14/14RS	1	11,97
16	F196.758	Gear Change Lever Oil Seal 22/12/7	1	6,07
17	F196.953	Pulse Pump Adaptor	1	6,09
18	F196.951	Clutch Casing Screw M6x25	1	0,54
19	F196.726	Crankcase/Cylinder Stud	4	2,98
20	F196.723	Crankcase Screw M6x40	1	0,54
20	F196.724	Crankcase Screw M6x45	6	0,54
20	F196.978	Crankcase Screw M6x55	2	0,54
20	F196.979	Crankcase Screw M6x60	1	0,54
20	F196.977	Crankcase Screw M6x70	1	0,54
21	F196.951	Clutch Casing Screw M6x25	1	0,54
21	F196.723	Crankcase Screw M6x40	2	0,54
21	F196.724	Crankcase Screw M6x45	1	0,54
21	F196.979	Crankcase Screw M6x60	3	0,54
22	F196.616	Water Hose Fitting (Long)	1	10,22
23	F196.801	Standard Plug Cap	1	15,50
23	F196.835	Champion Plug Cap	1	10,16
23	ATT.CAND	Ngk Plug Cap	1	21,73
23	GA207.802	Special Plug Cap	1	100,00
24	F196.910	Gearbox Casing Gasket	1	2,17
25	F196.561	Clutch Actuating Lever Screw M4x10	1	0,54



TAV. 3

L198 – L198E ROTARY VALVE MOTOR 125cc

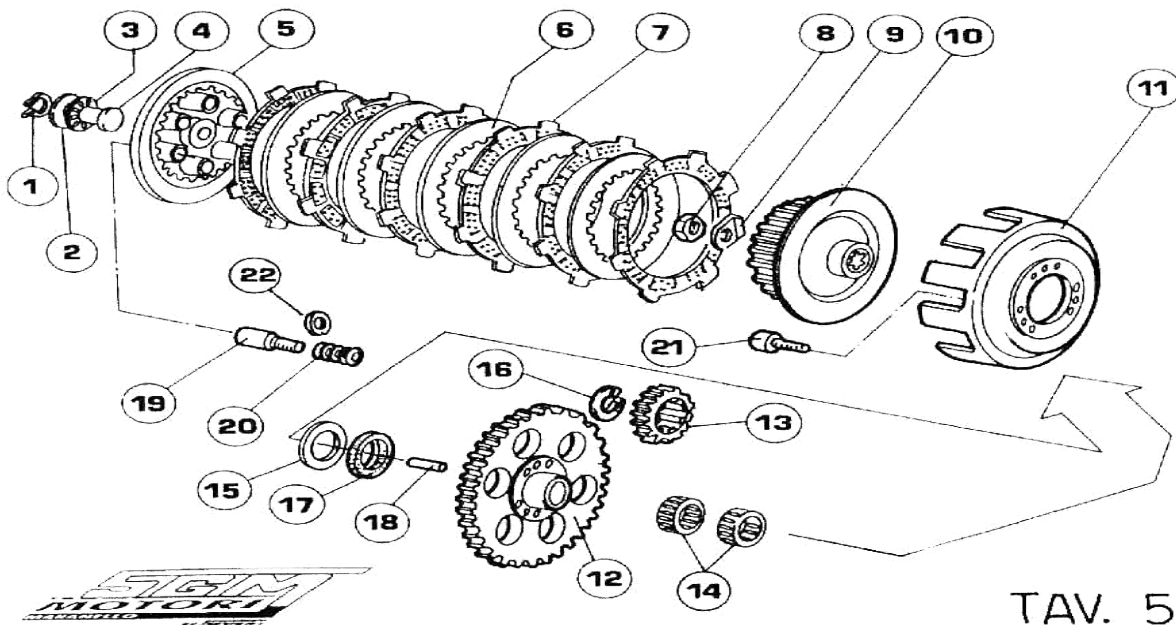
n°	Code	Description	Qty.	Price €
1	F196.755	Gear Change Shaft (Inside)	1	35,50
2	F196.107	Gear Change (Inside) Return Spring	1	9,98
3	F196.021	Selector Fork Shaft 117mm long	1	7,45
4	F196.022	Selector Fork Shaft 71mm long	1	7,45
5	F196.014	Selector Fork 5th Gear Output Shaft	1	55,79
6	F196.015	Selector Fork 6th Gear Output Shaft	1	58,65
7	F196.019	Cam Barrel	1	71,00
8	F196.013	Selector Fork 3rd/4th Gear Input Shaft	1	53,81
9	F196.955	Cam Barrel Pin 4x8	1	9,28
10	F196.61905	Cam Barrel Bearing Clutch Side 61905	1	24,38
11	F196.741	Ratchet	1	55,60
12	F196.786	Transfer Shaft Pad	2	6,91
13	F196.784	Locating Dowel	2	5,02
14	F196.785	Pad Locating Dowel Spring	2	1,15
15	F196.748	Cam Barrel Locating Bolt	1	16,12
16	F196.050	Cam Barrel Retaining Plate	1	31,80
17	F196.783	Retaining Plate (Cam Barrel) Screw M6x15	2	0,55
18	F196.742	Transfer Shaft	1	69,00
19	F196.956	Shaft Pivot	1	9,08
20	F196.740	Selector Lever	1	20,25
21	F196.106	Selector Lever Spring	1	3,50
22	F196.804	Selector Lever Locating Bolt	1	11,84
23	F196.61805	Cam Barrel Bearing Ignition Side 61805	1	16,25



TAV. 4

L198 – L198E ROTARY VALVE MOTOR 125cc

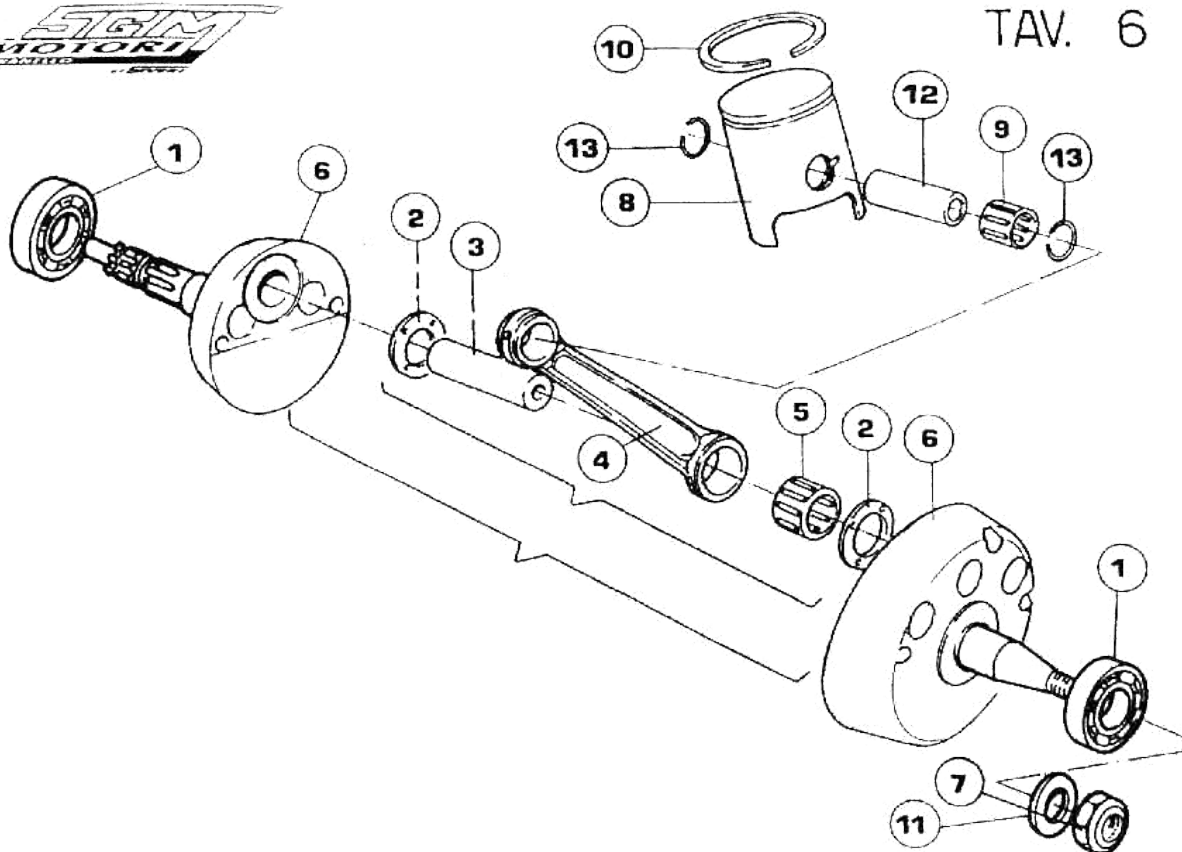
n°	Code	Description	Qty.	Price €
1	F196.731	Cylinder Head Screw M8x40	6	2,86
2	F196.732	Cylinder Head Washer	6	0,36
3	F196.800A	Cylinder Head With Aluminium Insert (F196/L198)	1	196,58
	F196.800IA	Aluminium Cylinder Head Insert F196/L198	1	53,17
4	F196.734	Cylinder O Ring 2237/2257 Internal	1	3,52
5	F196.735	Cylinder O Ring 2400 External	1	3,39
6	F196.100	Cylinder (Standard) F196 (Rotary Valve)	1	700,00
6	L198.100	Cylinder L198 (Reed Valve)	1	700,00
6	SL204.100	Cylinder SL 204 New Reed Valve	1	760,00
6	F196.100Sp	Cylinder (Prepared) F196 (Rotary Valve)	1	800,00
6	L198.100Sp	Cylinder, Reed Valve, Special, L198	1	860,00
6	SL204.100Sp	Cylinder SL 204 New Reed Valve (Prepared)	1	900,00
7	F196.733	Cylinder Base Nut	4	3,11
8	F196.020-010	Cylinder Base Gasket 0.1mm	1	1,50
8	F196.020-020	Cylinder Base Gasket 0.2mm	1	1,50
8	F196.020-030	Cylinder Base Gasket 0.3mm	1	1,50
8	F196.020-040	Cylinder Base Gasket 0.4mm	1	2,00
8	F196.020-050	Cylinder Base Gasket 0.5mm	1	2,00
10	F196.736	Exsaust Manifold Screw M6x16	4	0,54
11	F196.504	Exsaust Manifold	1	32,91
12	F196.502	Exhaust Manifold Gasket	1	2,30
13	F196.615	Water Hose Fitting (Short)	2	8,27
15	CAND.B	Spark Plug Bosch	1	9,35
15	CAND.CHAMP53	Spark Plug Champion 53	1	17,20
15	CAND.CHAMP	Spark Plug Champion C53Vc	1	62,62
15	NGK105C	Spark Plug NGK 105 Short	1	95,37
15	NGKB10EG	Spark Plug NGK B10EG	1	9,35



TAV. 5

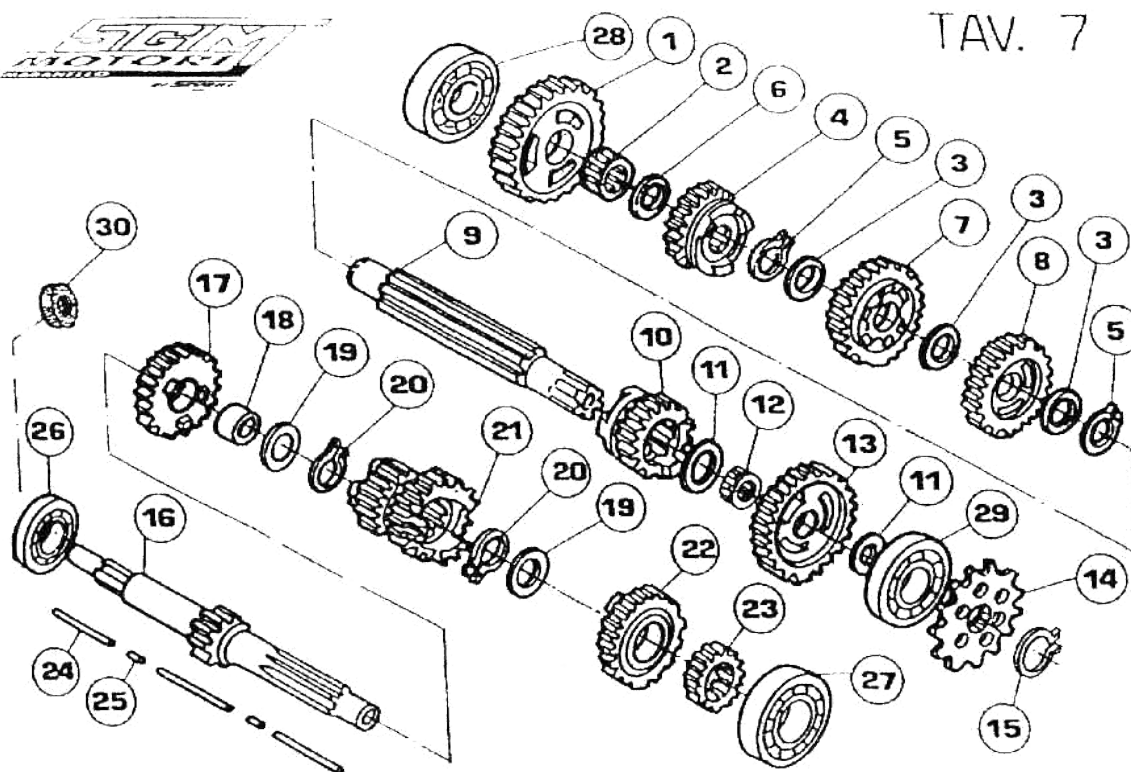
L198 – L198E ROTARY VALVE MOTOR 125cc

n°	Code	Description	Qty.	Price €
1	F196.764	Seeger Ring 9 mm	1	0,16
2	F196.762(10)	Clutch Release Pad Washer 10/24/2	3	8,27
4	F196.806	Clutch Release Pad 10/25/15	1	14,55
5	F196.202	Clutch Pressure Plate	1	47,50
5	F196.202/E	Clutch Pressure Plate (CNC Machined)	1	112,00
6	F196.108	Plain Clutch Plate (Aluminium)	5	8,02
6	F196.769	Plain Clutch Plate (Steel)	5	8,02
7	F196.109	Clutch Friction Plate	6	9,05
8	F196.771	Clutch Nut M14x1.00	1	4,91
9	F196.960	Clutch Locktab	1	1,41
10	F196.201/E	Clutch Centre Hub (CNC Machined)	1	143,00
11	F196.200	Clutch Drum	1	133,15
11	F196.200/E	Clutch Drum (CNC Machined)	1	160,90
12	F196.016	Clutch Gear Z67(Z18)	1	187,79
12	F196.045	Clutch Gear Z68(Z17)	1	187,79
12	F196.048	Clutch Gear Z65(Z19)	1	187,79
12	F196.051	Clutch Gear Z58(Z18)	1	187,79
13	F196.017	Primary Drive Gear Z18(Z67)	1	74,90
13	F196.042	Primary Drive Gear Z18(Z58)	1	74,90
13	F196.046	Primary Drive Gear Z17(Z68)	1	74,90
13	F196.049	Primary Drive Gear Z19(Z65)	1	74,90
14	F196.752	Clutch Gear Needle Bearing 20/24/13	2	7,25
15	F196.959	Final Drive Thrust Washer 17/30/3	1	4,50
16	F196.716	Front Sprocket Circlip 19 dia (Pull Chain)	1	0,41
17	F196.753	Clutch Gear Oil Seal 20/28/4	1	8,65
18	F196.961	Clutch Push Rod 6x20 (hardening)	3	2,30
19	F196.772	Clutch Spring Screw M5x35	5	1,77
20	F196.105	Clutch Spring	5	3,50
21	F196.962	Clutch Gear Screw M6x20	6	0,54
22	F196.773	Clutch Spring Washer	5	3,93



L198 – L198E ROTARY VALVE MOTOR 125cc

n°	Code	Description	Qty.	Price €
1	F196.6205	Crankshaft Bearing 6205	2	27,01
1	F196.6205S	Crankshaft Bearing 6205 (Special)	2	60,16
2	F196.705	Silver Plated Thrust Washer (20mm)	2	10,32
3	F196.702	Crankshaft Pin (20mm)	1	23,10
4	F196.20113	Connecting Rod 20x113mm	1	178,61
4	F196.20113C	Connecting Rod 20x113mm Complete	1	271,15
5	F196.707	Silver Plated Crankshaft Pin Bearing (20mm)	1	49,07
6	F196.018	Crankshaft (20mm) Rot.Valve Ignition Side	1	181,00
6	L198.120	Crankshaft Reed Valve Ignition Side, L198	1	185,36
6	L198.120C	Crankshaft, Complete with Rod, L198	1	477,42
7	F196.719	Ignition Rotor Nut	1	4,95
8	F196.5400	Piston Kit Complete	1	80,07
8	L198.5400	Piston Kit Complete	1	80,07
8	L198.5400P	Piston Kit Complete With Set Up	1	95,60
9	F196.730	Piston Pin Bearing 15/19/20	1	17,00
10	F196.SEGM5400	Piston Ring	1	19,30
11	F196.720	Ignition Rotor Washer	1	0,48
12	F196.698	Piston Pin	1	10,50
13	F196.699	Piston Pin Circlip	2	0,48

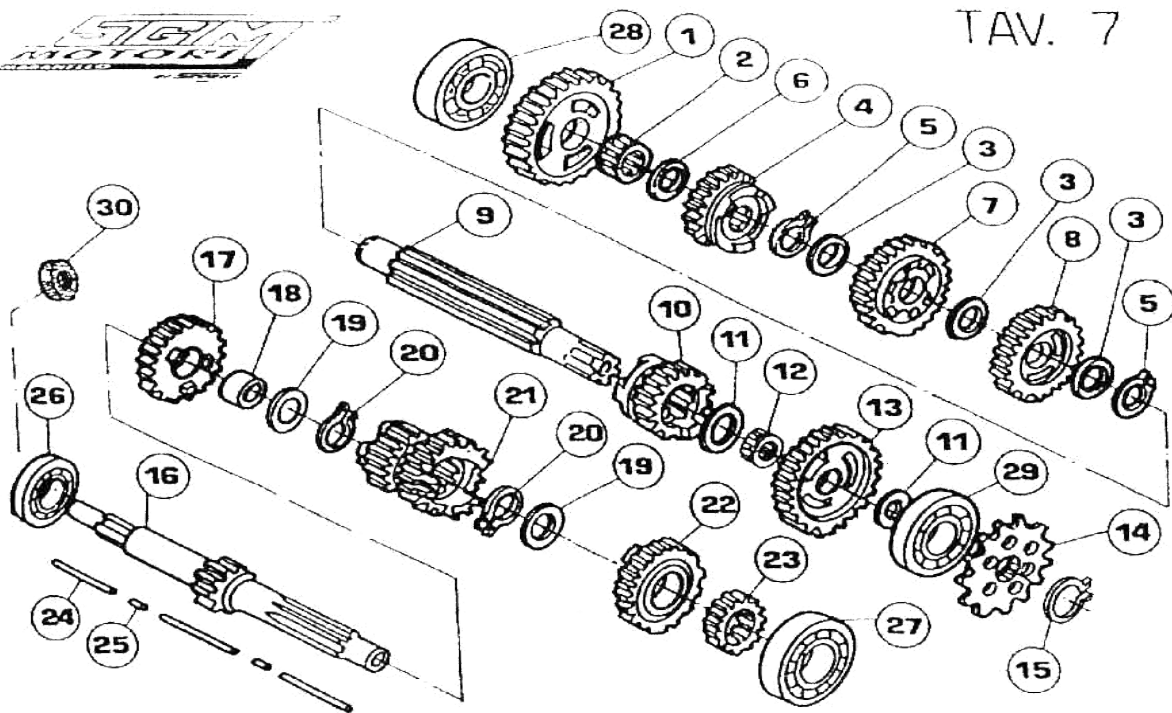


L198 GEARBOX PARTS (version 1998)

n°	Code	Description	Qty.	Price €
1	L198.006	1st Gear Output Shaft Z34 (Reed Valve)	1	80,65
2	F196.750	Output Shaft Needle Bearing 17/21/10	1	6,43
3	F196.744	Output Shaft Thrust Washer 22/28/1	3	2,36
4	F196.010	5th Gear Output Shaft Z26 (Rotary/Reed)	1	90,56
5	F196.751	Output Shaft Circlip 21 dia.	2	0,54
6	F196.746	Output Shaft Thrust Washer 17/30/1	1	2,36
7	F196.008H	3rd Gear Output Shaft Z30-0.5 (Reed Valve)	1	90,56
8	F196.009K	4th Gear Output Shaft Z28-0.5 (Reed Valve)	1	90,56
9	F196.012	Output (Secondary) Shaft	1	96,12
10	L198.011	6th Gear Output Shaft Z24 (Reed Valve)	1	90,56
11	F196.745	Input Shaft Thrust Washer 20/28/1	2	2,36
12	F196.749	Output Shaft Needle Bearing 20/24/8	1	6,64
13	F196.007	2nd Gear Output Shaft Z28 (Rotary/Reed)	1	90,56
14	F196.413	Front Sprocket Z13 (Pull Chain)	1	28,77
15	F196.716	Front Sprocket Circlip 19 dia (Pull Chain)	1	0,41
16	F196.001	Input (Primary) Shaft (Z14)	1	100,00
17	F196.004	5th Gear Input Shaft Z23 (Rotary/Reed)	1	90,56
18	F196.970	Input Shaft Needle Bearing 20/24/10	1	6,64
19	F196.745	Input Shaft Thrust Washer 20/28/1	1	2,36
20	F196.716	Front Sprocket Circlip 19 dia (Pull Chain)	2	0,41
21	F196.0031	3rd/4th Gear Input Shaft Z19/21 E/G/H/M -J/K/P/Q	2	113,75
22	F196.005	6th Gear Input Shaft Z24 (Rotary/Reed)	1	90,56
23	F196.002	2nd Gear Input Shaft Z15(Rotary/Reed)	1	76,52
24	F196.805	Clutch Push Rod 6x60 (hardening)	3	2,98
25	F196.961	Clutch Push Rod 6x20 (hardening)	2	2,30
26	F196.6204T	Gearbox Input Shaft Bearing Clutch Side 6204	1	13,33
27	F196.6203N	Gearbox Input Shaft Bearing Ignition Side 6203	1	12,52
28	F196.6203N	Gearbox Output Shaft Bearing Clutch Side 6203	1	12,52
29	F196.6204T	Gearbox Output Shaft Bearing Ignition Side 6204	1	13,33
30	F196.738	Input (Primary) Shaft Oil Seal 6/10/2	1	3,12

SPEED GEAR RATIO

PART No.	PART No.	Description	GEAR RATIO	STAMP.	GEAR RATIO	STAMP.
Input Shaft	Output Shaft	GEARBOX STD L198	Input shaft		Output shaft	
F196.001	L198.006	1st GEAR	14	S	34	L
F196.002	F196.007	2nd GEAR	15	S	28	S
F196.0031	F196.008H	3rd GEAR	19(dual 1)	1	30	H
F196.0031	F196.009K	4th GEAR	21(dual 1)	1	28	K
F196.004	F196.010	5th GEAR	23	S	26	S
F196.005	L198.011	6th GEAR	24	S	24	L
Clutch Gear	Primary drive	FINAL DRIVES	Clutch gear		Primary drive	
F196.016	F196.017	STANDARD 3,72	67	S	18	S
F196.045	F196.046	SHORT 4,00	68	A	17	A
F196.048	F196.049	LONG 3,42	65	B	19	B
F196.051	F196.042	LONG + 3,22	58	C	18	C

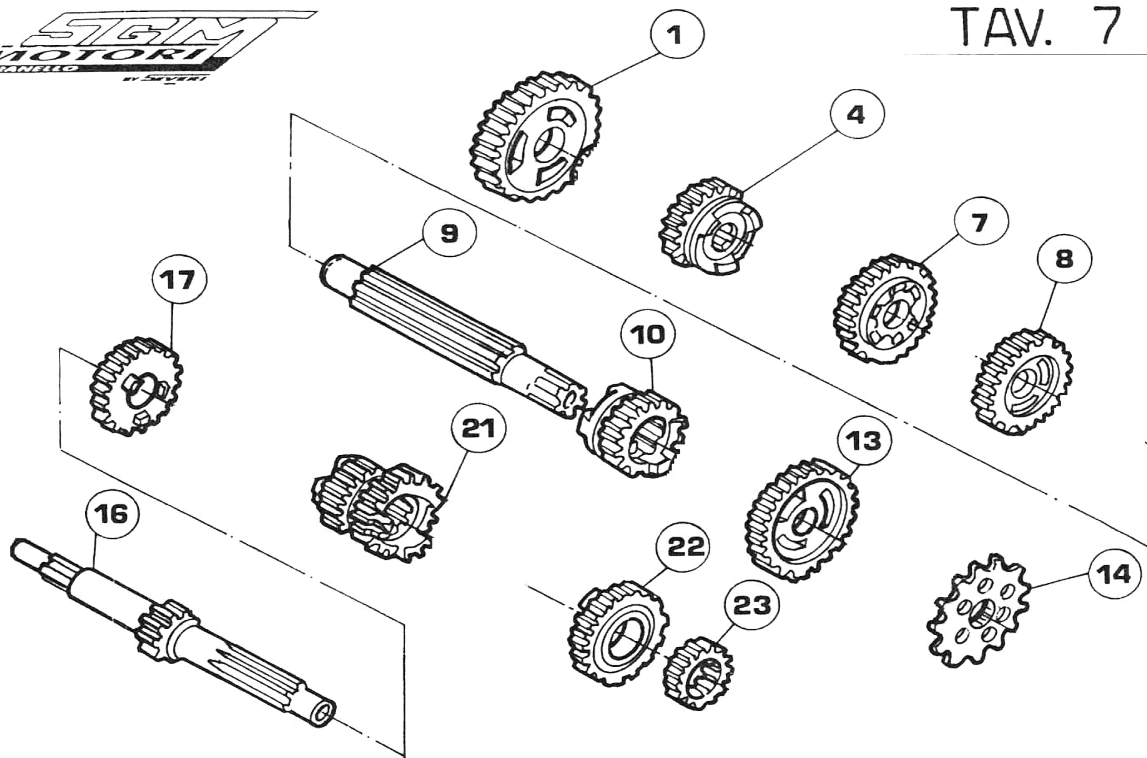


L198 SPEED GEAR (version 1999/2011)

n°	Code	Description	Qty.	Price €
1	L198.006	1st Gear Output Shaft Z34 (Reed Valve)	1	80,65
2	F196.750	Output Shaft Needle Bearing 17/21/10	1	6,43
3	F196.744	Output Shaft Thrust Washer 22/28/1	3	2,36
4	F196.010	5th Gear Output Shaft Z26 (Rotary/Reed)	1	90,56
5	F196.751	Output Shaft Circlip 21 dia.	2	0,54
6	F196.746	Output Shaft Thrust Washer 17/30/1	1	2,36
7	L198.008	3rd Gear Output Shaft Z30 (Reed Valve 1999)	1	90,56
8	L198.009	4th Gear Output Shaft Z28 (Reed Valve 1999)	1	90,56
9	F196.012	Output (Secondary) Shaft	1	96,12
10	L198.011	6th Gear Output Shaft Z24 (Reed Valve)	1	90,56
11	F196.745	Input Shaft Thrust Washer 20/28/1	2	2,36
11	F196.747	Output Shaft Thrust Washer 28/24/20/3	1	4,66
12	F196.749	Output Shaft Needle Bearing 20/24/8	1	6,64
12	F196.970	Output Shaft Needle Bearing 20/24/10 (since oct. 99)	1	6,64
13	F196.007	2nd Gear Output Shaft Z28 (Rotary/Reed)	1	90,56
14	F196.413	Front Sprocket Z13 (Pull Chain)	1	28,77
15	F196.716	Front Sprocket Circlip 19 dia (Pull Chain)	1	0,41
16	F196.001	Input (Primary) Shaft (Z14)	1	100,00
17	F196.004	5th Gear Input Shaft Z23 (Rotary/Reed)	1	90,56
18	F196.970	Input Shaft Needle Bearing 20/24/10	1	6,64
19	F196.745	Input Shaft Thrust Washer 20/28/1	1	2,36
20	F196.716	Front Sprocket Circlip 19 dia (Pull Chain)	2	0,41
21	L198.031	3rd/4th Gear Input Shaft Z19/21 (Reed Valve 1999)	2	113,75
22	F196.005	6th Gear Input Shaft Z24 (Rotary/Reed)	1	90,56
23	F196.002	2nd Gear Input Shaft Z15(Rotary/Reed)	1	76,52
24	F196.805	Clutch Push Rod 6x60 (hardening)	1	2,98
25	F196.961	Clutch Push Rod 6x20 (hardening)	3	2,30
26	F196.6204T	Gearbox Input Shaft Bearing Clutch Side 6204	2	13,33
27	F196.6203N	Gearbox Input Shaft Bearing Ignition Side 6203	1	12,52
28	F196.6203N	Gearbox Output Shaft Bearing Clutch Side 6203	1	12,52
29	F196.6204T	Gearbox Output Shaft Bearing Ignition Side 6204	1	13,33
30	F196.738	Input (Primary) Shaft Oil Seal 6/10/2	1	3,12

SPEED GEAR RATIO

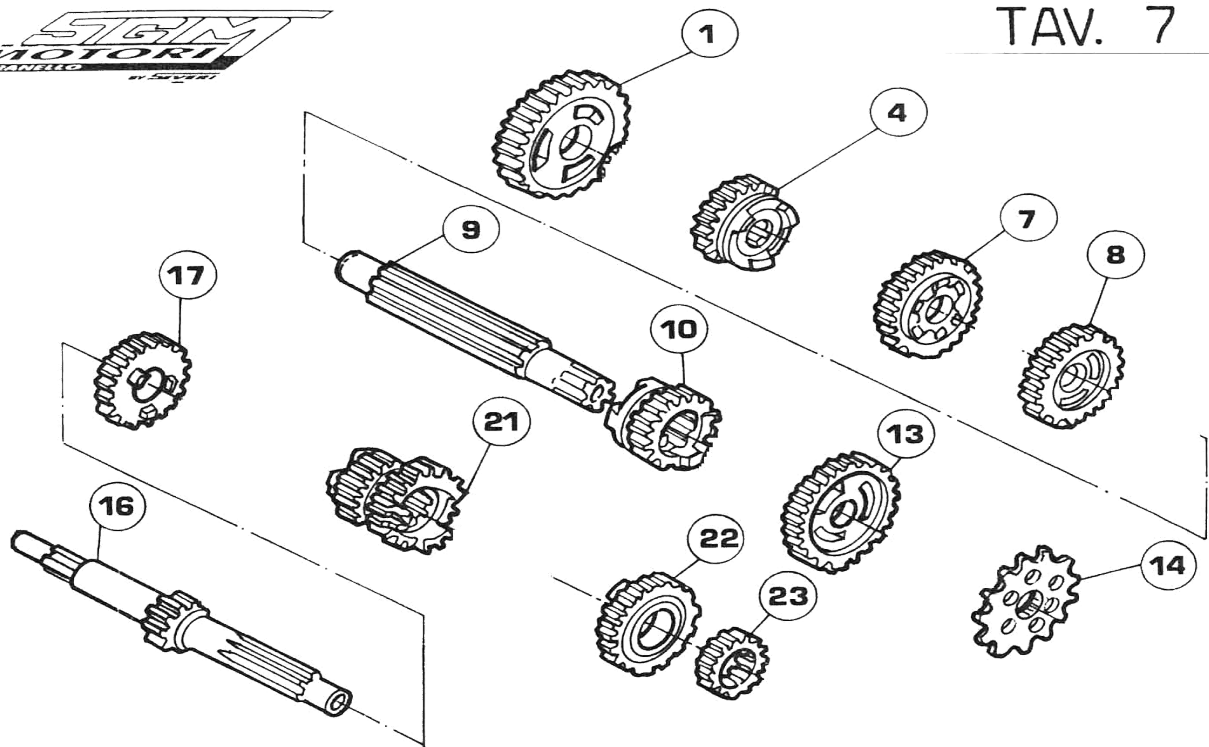
PART No.	PART No.	Description	GEAR RATIO	STAMP.	GEAR RATIO	STAMP.
Input Shaft	Output Shaft	GEARBOX STD L198/1999	Input shaft		Output shaft	
F196.001	L198.006	1st GEAR	14	S	34	L
F196.002	F196.007	2nd GEAR	15	S	28	S
L198.031	L198.008	3rd GEAR	19	L	30	L
L198.031	L198.009	4th GEAR	21	L	28	L
F196.004	F196.010	5th GEAR	23	S	26	S
F196.005	L198.011	6th GEAR	24	S	24	L
Clutch Gear	Primary drive	FINAL DRIVES	Clutch gear		Primary drive	
F196.016	F196.017	STANDARD 3,72	67	S	18	S
F196.045	F196.046	SHORT 4,00	68	A	17	A
F196.048	F196.049	LONG 3,42	65	B	19	B
F196.051	F196.042	LONG + 3,22	58	C	18	C



L198 GEARBOX SPECIAL PARTS

n°	Code	Description	Qty.	Price €
1	F196.006T	1st Gear Output Shaft Z34	1	90,56
4	F196.010N	5th Gear Output Shaft Z26+1	1	90,56
4	F196.010R	5th Gear Output Shaft Z24+1	1	90,56
4	F196.010V	5th Gear Output Shaft Z25+0.5	1	90,56
4	F196.010Z	5th Gear Output Shaft Z27-0.5	1	90,56
7	F196.008E	3rd Gear Output Shaft Z27+1	1	90,56
7	F196.008G	3rd Gear Output Shaft Z28+0.5	1	90,56
7	F196.008H	3rd Gear Output Shaft Z30-0.5 (Reed Valve)	1	90,56
7	F196.008M	3rd Gear Output Shaft Z29	1	90,56
8	F196.009J	4th Gear Output Shaft Z26+0.5	1	90,56
8	F196.009K	4th Gear Output Shaft Z28-0.5 (Reed Valve)	1	90,56
8	F196.009P	4th Gear Output Shaft Z25+1	1	90,56
8	F196.009Q	4th Gear Output Shaft Z27	1	90,56
9	F196.012	Output (Secondary) Shaft	1	96,12
10	F196.011C	6th Gear Output Shaft Z22+1	1	90,56
10	F196.011D	6th Gear Output Shaft Z23+0.5	1	90,56
10	F196.011F	6th Gear Output Shaft Z24-0.5	1	90,56
10	F196.011T	6th Gear Output Shaft Z25-1	1	90,56
13	F196.007A	2nd Gear Output Shaft Z27+0.5	1	90,56
13	F196.007B	2nd Gear Output Shaft Z27+1.5	1	90,56
13	F196.007E	2nd Gear Output Shaft Z29-0.5	1	90,56
14	F196.413	Front Sprocket Z13 (Pull Chain)	1	28,77
14	F196.414	Front Sprocket Z14 (Pull Chain)	1	30,50
14	F196.415	Front Sprocket Z15 (Pull Chain)	1	32,45
14	F196.416	Front Sprocket Z16 (Pull Chain)	1	34,80
14	F196.417	Front Sprocket Z17 (Pull Chain)	1	37,23
14	F196.418	Front Sprocket Z18 (Pull Chain)	1	38,90
14	F196.419	Front Sprocket Z19 (Pull Chain)	1	40,10
14	F196.420	Front Sprocket Z20 (Pull Chain)	1	42,00

(Segue)



L198 GEARBOX SPECIAL PARTS

n°	Code	Description	Qty.	Price €
16	F196.001T	Input (Primary) Shaft (Z12)	1	149,37
17	F196.004N	5th Gear Input Shaft Z22(26-1)	1	90,56
17	F196.004R	5th Gear Input Shaft Z23(24+1)	1	90,56
17	F196.004V	5th Gear Input Shaft Z23(25+0.5)	1	90,56
17	F196.004Z	5th Gear Input Shaft Z23(27-0.5)	1	90,56
21	F196.0031	3rd/4th Gear Input Shaft Z19/21 E/G/H/M -J/K/P/Q	1	113,75
21	F196.0032	3rd/4th Gear Input Shaft Z19/21 E/M - P/Q	1	113,75
21	F196.0033	3rd/4th Gear Input Shaft Z18-1/20-1	1	113,75
21	F196.0034	3rd/4th Gear Input Shaft Z19/20-1	1	113,75
21	F196.0035	3rd/4th Gear Input Shaft Z18-1/21	1	113,75
22	F196.005C	6th Gear Input Shaft Z25(Z22+1)	1	90,56
22	F196.005D	6th Gear Input Shaft Z25(Z23+0.5)	1	90,56
22	F196.005F	6th Gear Input Shaft Z25(Z24-0.5)	1	90,56
22	F196.005T	6th Gear Input Shaft Z24(Z25-1)	1	90,56
23	F196.002A	2nd Gear Input Shaft Z15(27+0.5)	1	76,52
23	F196.002B	2nd Gear Input Shaft Z16(27+1.5)	1	76,52
23	F196.002E	2nd Gear Input Shaft Z15(29-0.5)	1	76,52
23	F196.002K	2nd Gear Input Shaft Z16(28+1.5)	1	76,52
23	F196.002X	2nd Gear Input Shaft Z14(Z28-1)	1	76,52

SPEED GEAR RATIO

PART No.	PART No.	Description	GEAR RATIO	STAMP.	GEAR RATIO	STAMP.
Input Shaft	Output Shaft	SPECIAL GEARS	Input shaft		Output shaft	
F196.001T	F196.006T	1st GEAR	12	T	34	T

PART No.	PART No.	Description	GEAR RATIO	STAMP.	GEAR RATIO	STAMP.
Input Shaft	Output Shaft	SPECIAL GEARS	Input shaft		Output shaft	
F196.002A	F196.007A	2nd GEAR	15	A	27+0,5	A
F196.002B	F196.007B	2nd GEAR	16	B	27+1,5	B
F196.002E	F196.007E	2nd GEAR	15	E	29-0,5	E
F196.002K	F196.007	2nd GEAR	16	K	28+1	S
F196.002X	F196.007	2nd GEAR	14	X	28-1	S

PART No.	PART No.	Description	GEAR RATIO	STAMP.	GEAR RATIO	STAMP.
Input Shaft	Output Shaft	SPECIAL GEAR (DUAL 1)	Input shaft		Output shaft	
F196.0031	F196.008E	3rd GEAR	19		27+1	E
	F196.008G				28+0.5	G
	F196.008H				30-0.5	H
	F196.008M				29 norm.	M
	F196.009J	4th GEAR	21		26+0,5	J
	F196.009K				28-0,5	K
	F196.009P				25+1	P
	F196.009Q				27 norm.	Q

PART No.	PART No.	Description	GEAR RATIO	STAMP.	GEAR RATIO	STAMP.
Input Shaft	Output Shaft	SPECIAL GEAR (DUAL 3)	Input shaft		Output shaft	
F196.0033	F196.008	3rd GEAR	18-1		29	S
	F196.009	4th GEAR	20-1		27	S

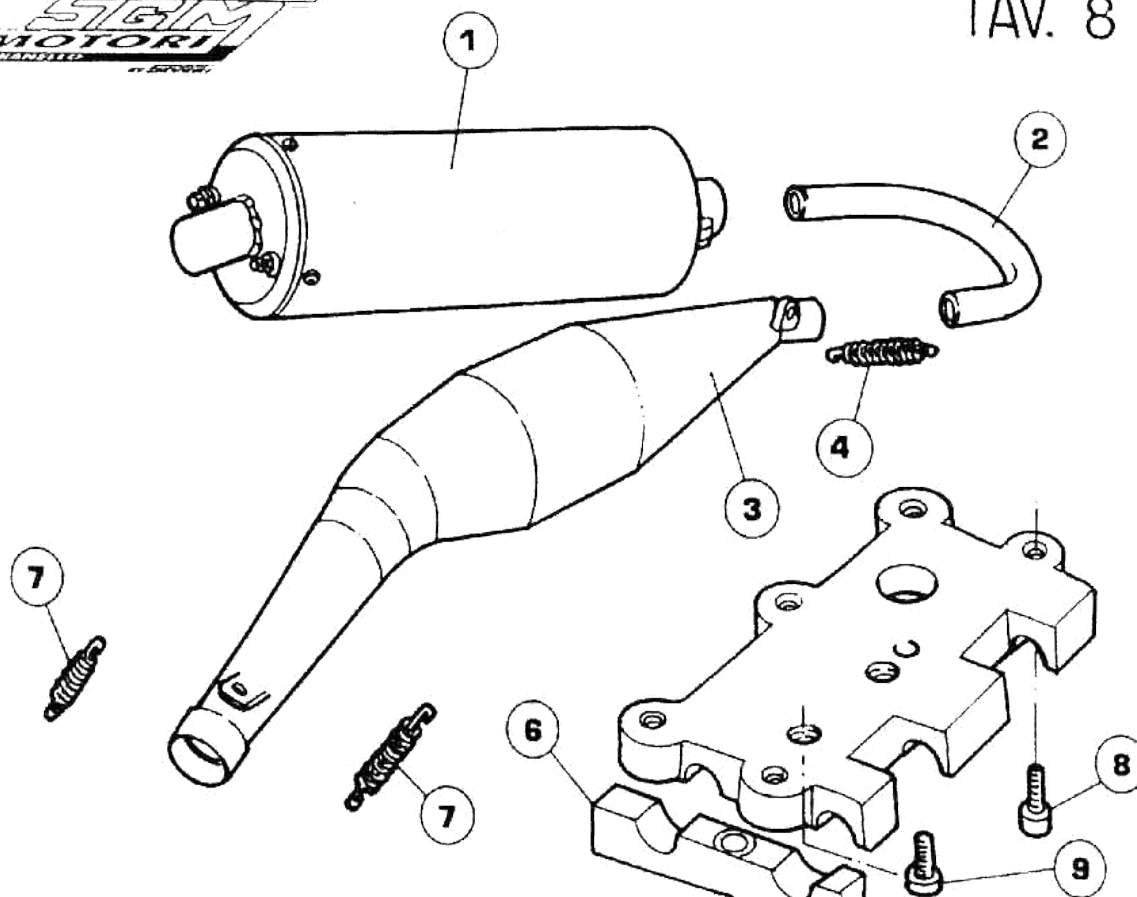
PART No.	PART No.	Description	GEAR RATIO	STAMP.	GEAR RATIO	STAMP.
Input Shaft	Output Shaft	SPECIAL GEAR (DUAL 4)	Input shaft		Output shaft	
F196.0034	F196.008	3rd GEAR	19		29 norm.	S
	F196.009	4th GEAR	20-1		27	S

PART No.	PART No.	Description	GEAR RATIO	STAMP.	GEAR RATIO	STAMP.
Input Shaft	Output Shaft	SPECIAL GEAR (DUAL 5)	Input shaft		Output shaft	
F196.0035	F196.008	3rd GEAR	18-1		29	S
	F196.009	4th GEAR	21		27 norm.	S

PART No.	PART No.	Description	GEAR RATIO	STAMP.	GEAR RATIO	STAMP.
Input Shaft	Output Shaft	SPECIAL GEARS	Input shaft		Output shaft	
F196.004N	F196.010N	5th GEAR	22	N	26-1	N
F196.004R	F196.010R	5th GEAR	23	R	24+1	R
F196.004V	F196.010V	5th GEAR	23	V	25+0,5	V
F196.004Z	F196.010Z	5th GEAR	23	Z	27-0,5	Z

PART No.	PART No.	Description	GEAR RATIO	STAMP.	GEAR RATIO	STAMP.
Input Shaft	Output Shaft	SPECIAL GEARS	Input shaft		Output shaft	
F196.005C	F196.011C	6th GEAR	25	C	22+1,5	C
F196.005D	F196.011D	6th GEAR	25	D	23+1	D
F196.005F	F196.011F	6th GEAR	24	F	24-0,5	F
F196.005T	F196.011T	6th GEAR	24	T	25-1	T

PART No.	PART No.	Description	GEAR RATIO	STAMP.	GEAR RATIO	STAMP.
Clutch Gear	Primary drive	FINAL DRIVES	Clutch gear		Primary drive	
F196.016	F196.017	STANDARD 3,72	67	S	18	S
F196.045	F196.046	SHORT 4,00	68	A	17	A
F196.048	F196.049	LONG 3,42	65	B	19	B
F196.051	F196.042	LONG + 3,22	58	C	18	C
SL204.016	SL204.017	REED VALVE 2004 (3,72)	67		18	C
GA207.016	GA207.017	REED VALVE 2009 (3,66)	66	C	18	C



L198 – L198E ROTARY VALVE MOTOR 125cc

n°	Code	Description	Qty.	Price €
1	F196.5135	Silencer 5135 125cc	1	213,91
1	F196.5323	Silencer Carbon Fibre 125cc	1	163,73
1	F196.503	Aluminium Silencer (baffled)	1	140,94
2	F196.500TMS	Exsaust "U" Bend (Standard)	1	24,15
2	F196.905	Exsaust "U" Bend (Special)	1	29,90
3	F196.500	Expansion Chamber (Rotary/Reed)	1	227,11
3	F196.500S	Expansion Chamber Special (Rotary/Reed)	1	329,95
4	F196.506	Exhaust/U Bend Retaining Spring L. 51	1	4,30
4	F196.507	Exhaust/U Bend Retaining Spring L. 66	1	4,00
4	F196.508	Exhaust/U Bend Retaining Spring L. 107	1	4,60
5	F196.180	Aluminium Motor Mount (CNC Machined)	1	172,90
5	F196.182	Aluminium Motor Mount	1	133,97
6	F196.181	Motor Mount Lower Clamp (CNC Machined)	2	29,66
7	F196.506	Exhaust/U Bend Retaining Spring L. 51	1	4,30
7	F196.507	Exhaust/U Bend Retaining Spring L. 66	1	4,00
7	F196.508	Exhaust/U Bend Retaining Spring L. 107	1	4,60
8	F196.560	Engine Mount Screw M8x25	6	0,64
9	F196.569	Motor Mounting Lower Clamp Screw M10x40	2	0,54



SEVERI RACING KART & C. S.r.l.

Via Musso, 35

41053 Maranello (MO) - Italy

Tel 0536/940234 - Fax 0536/944095

E-mail: severi.sgm@tiscalinet.it

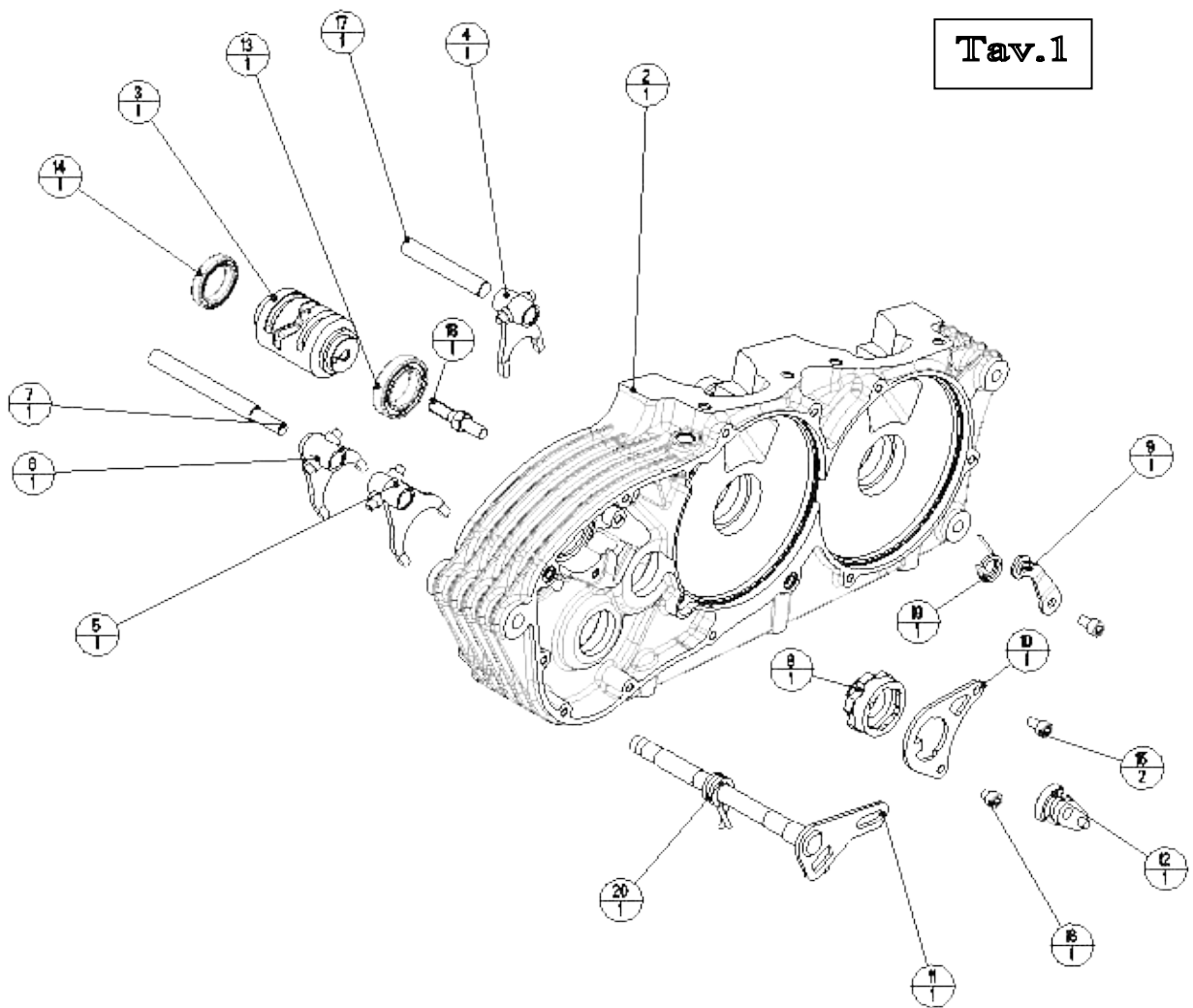
E-mail: severi.sgm@tiscalinet.it

www.sgm-engines.com

FE203 250 cc SGM MOTOR

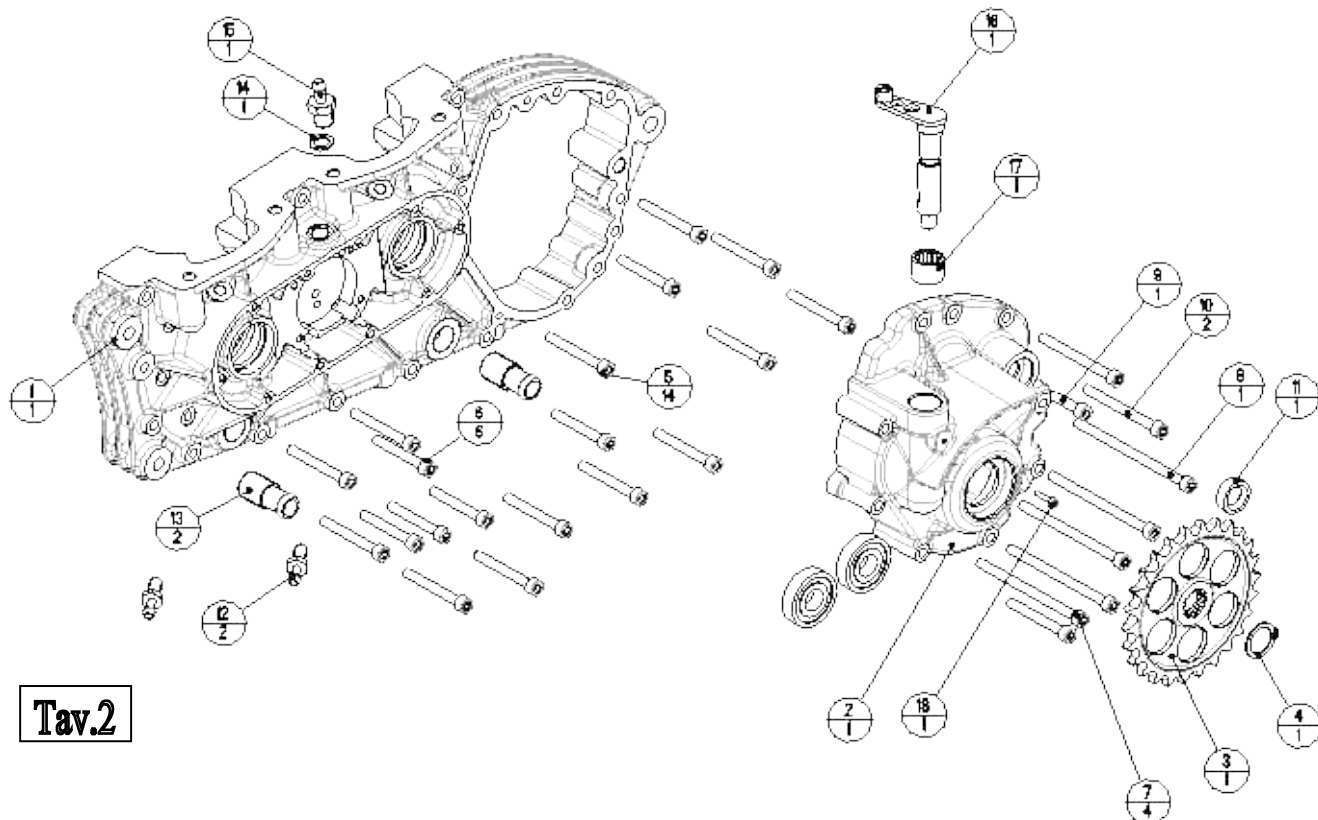
FACTORY	SEVERI RACING KART & C. S.r.l.
TRADE - MARK	SGM
MODEL	FE2003
BORE	54.00
STROKE	54.40
MAX CIL.	249.90
CYLINDER COOLING SYSTEM	WATER
CASING COOLING SYSTEM	WATER
INTAKE SYSTEM	ROTARY VALVE
CYLINDER NR.	2
TRANSFER DUCTS, CYLINDER/SUMP NR	5 x CYLINDER
EXHAUST PORTS/DUCTS NR	3 x CYLINDER
CYLINDER MATERIAL	ALUMINIUM ALLOY + NICASIL
CONNECTING ROD	NR. 2 Long 113
NR PISTONS	2
IGNITION	SELETTA SIMULTANEA DIGIT
NR. CARBURETTORS	2 CARBURETTORS 39
GEAR BOX (Removable)	6 DRIVE

Tav.1



FE203 250cc MOTOR

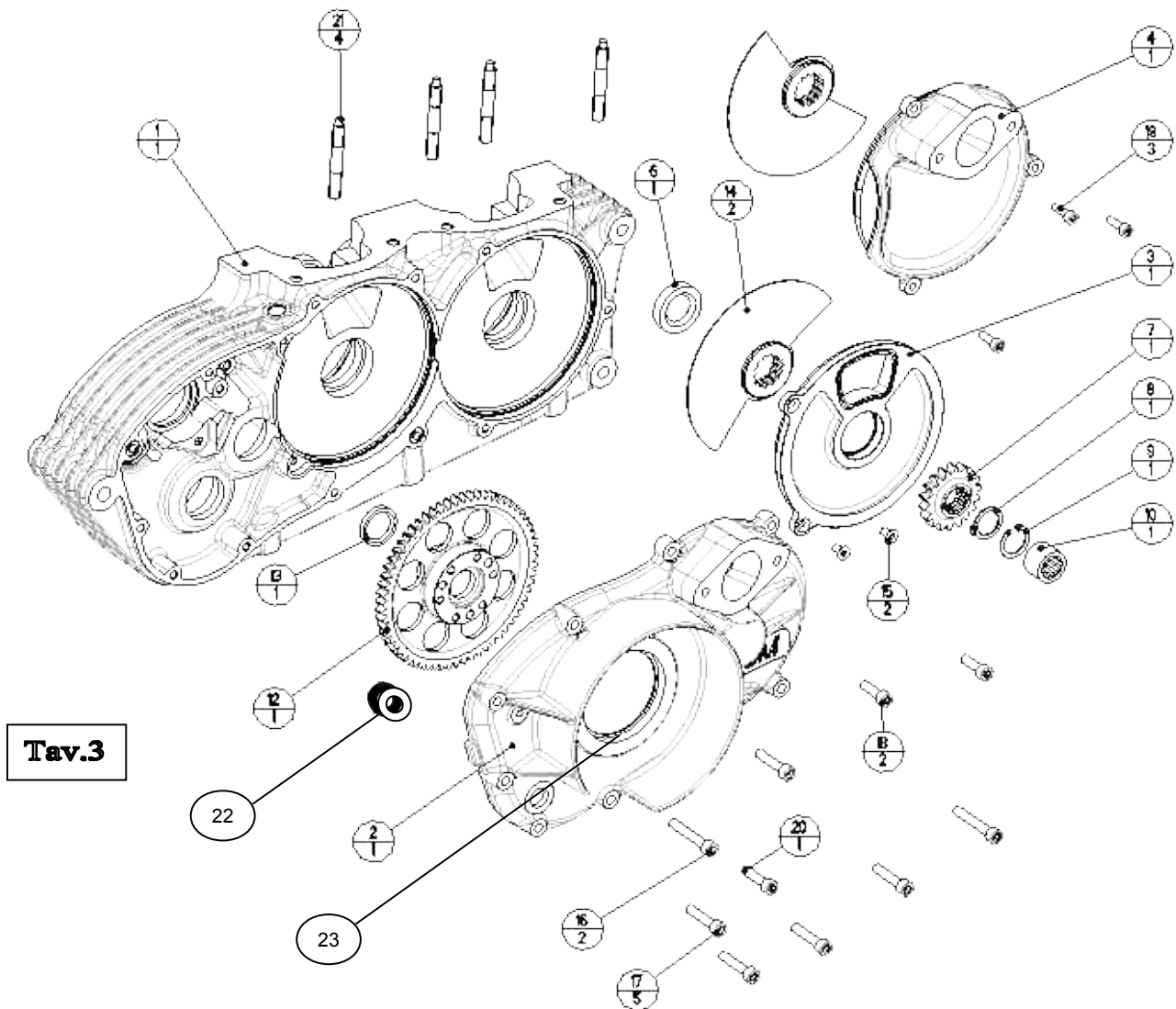
n°	Code	Description	Qty.	Price €
2	FE202.101	Crankcase Clutch Side 250 cc	1	715,00
3	F196.019	Cam Barrel	1	71,00
4	F196.013	Selector Fork 3rd/4th Gear Input Shaft	1	53,81
5	F196.014	Selector Fork 5th Gear Output Shaft	1	55,79
6	F196.015	Selector Fork 6th Gear Output Shaft	1	58,65
7	F196.021	Selector Fork Shaft 117mm long	1	7,45
8	F196.741	Ratchet	1	55,60
9	F196.740	Selector Lever	1	20,25
10	F196.050	Cam Barrel Retaining Plate	1	31,80
11	F196.786	Transfer Shaft Pad	1	6,91
12	F196.742	Transfer Shaft	1	69,00
13	F196.61805	Cam Barrel Bearing Ignition Side 61805	1	16,25
14	F196.61905	Cam Barrel Bearing Clutch Side 61905	1	24,38
15	F196.783	Retaining Plate (Cam Barrel) Screw M6x15	2	0,55
16	FE202.665	Screw M6x65	1	0,60
17	F196.022	Selector Fork Shaft 71mm long	1	7,45
18	F196.748	Cam Barrel Locating Bolt	1	16,12
19	F196.107	Gear Change (Inside) Return Spring	1	9,98
20	F196.106	Selector Lever Spring	1	3,50



Tav.2

FE203 250cc MOTOR

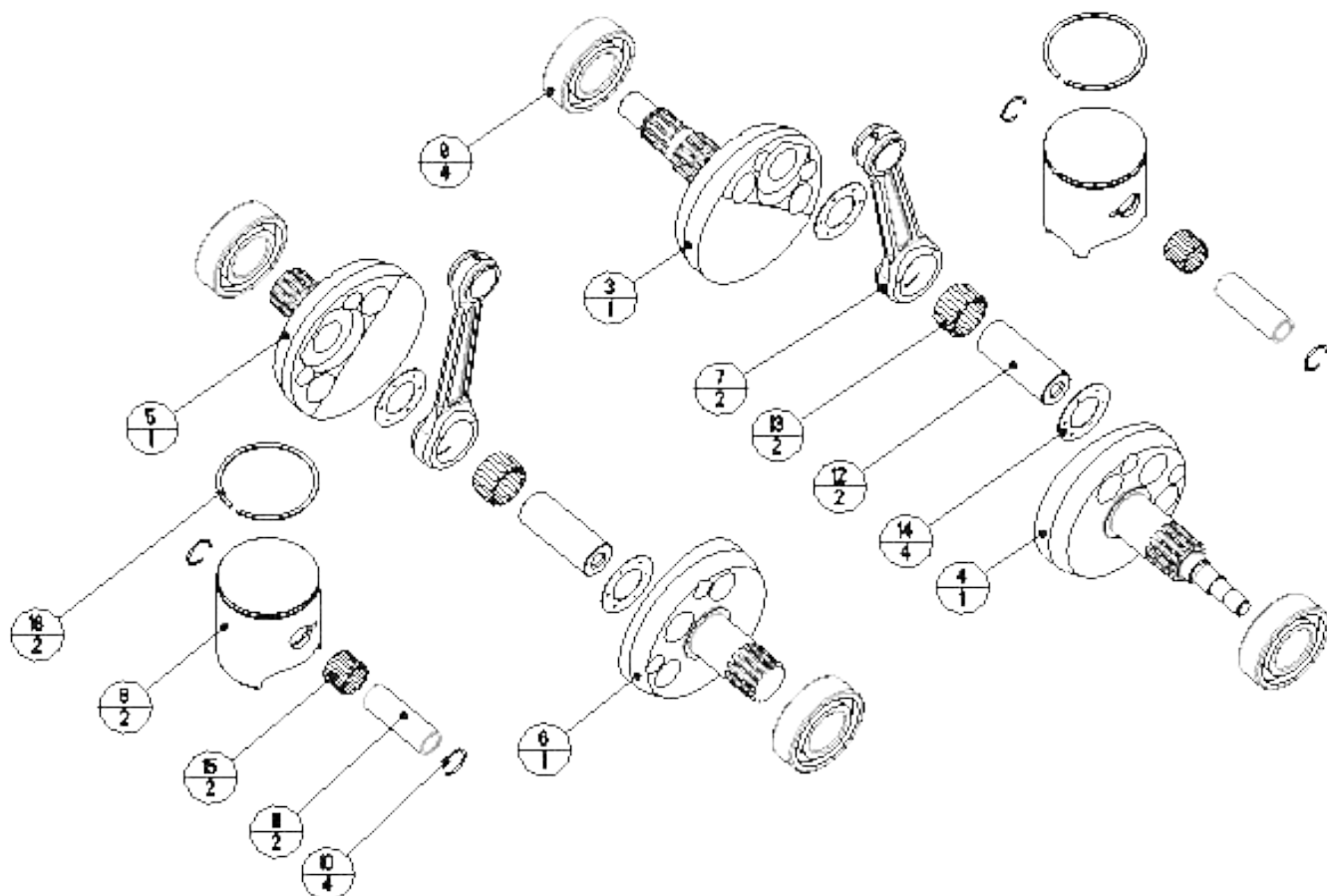
n°	Code	Description	Qty.	Price €
1	FE202.102	Crankcase Ignition side Side 250 cc	1	715,00
2	FE202.104	Gearbox Casing 250 cc	1	291,50
3	FE202.422	Front Sprocket Z22 (Pull Chain)	1	45,70
4	FE202.716	Sprocket Circlip	1	0,45
5	F196.957	Crankcase Screw M6x50	14	0,54
6	F196.724	Crankcase Screw M6x45	6	0,54
7	FE202.690	Screw M6x90	4	0,60
8	FE202.610	Srew M6x100	1	0,60
9	F196.951	Clutch Casing Screw M6x25	1	0,54
10	FE202.665	Screw M6x65	2	0,60
11	F196.758	Gear Change Lever Oil Seal 22/12/7	1	6,07
12	F196.953	Pulse Pump Adaptor	2	6,09
13	F196.616	Water Hose Fitting (Long)	2	10,22
14	F196.562	Drain Plug Washer	1	0,48
15	F196.556	Gearbox Breather	1	8,01
16	F196.760	Clutch Actuating Lever	1	51,45
17	F196.765	Clutch Actuating Lever Bearing HK14/14RS	1	11,97
18	FE202.315	Screw M 3X15	1	0,51



Tav.3

FE203 250cc MOTOR

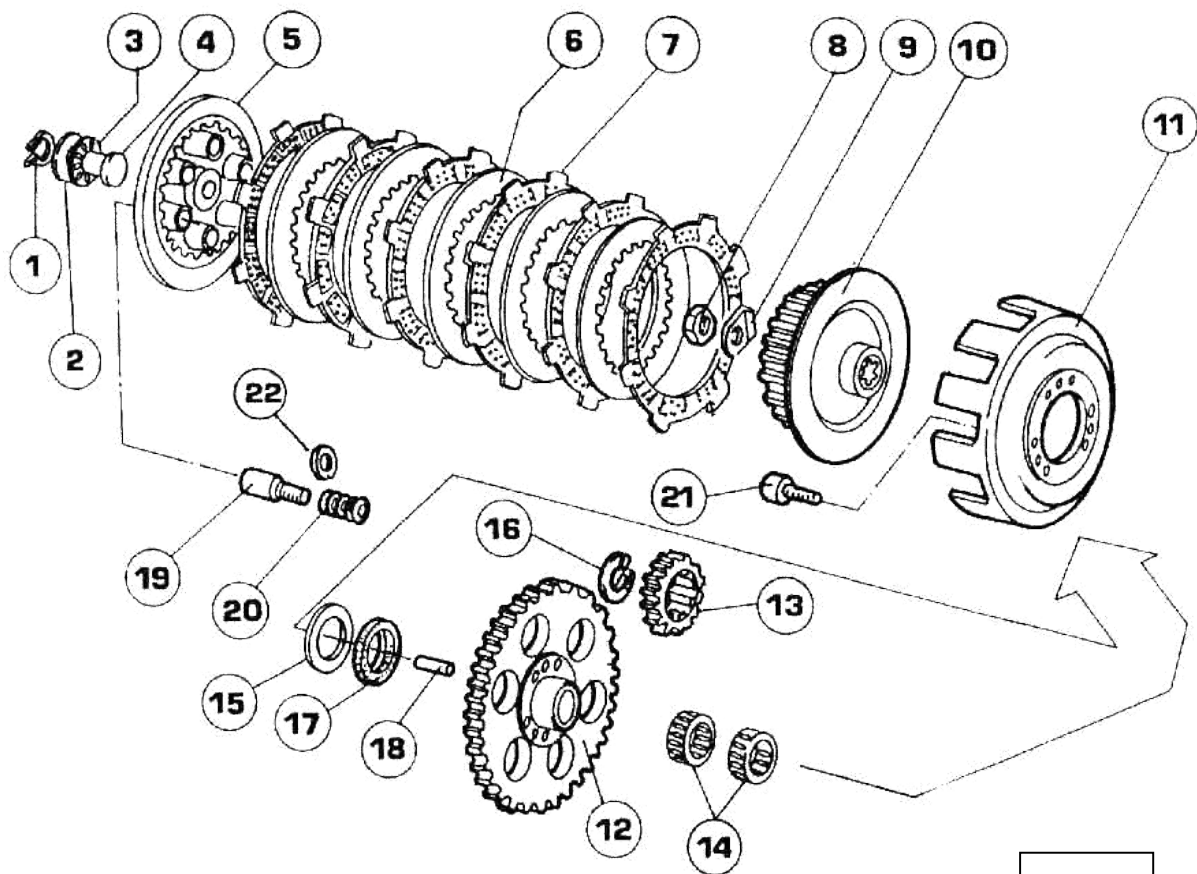
n°	Code	Description	Qty.	Price €
1	FE202.101	Crankcase Clutch Side 250 cc	1	715,00
2	FE202.103	Clutch Casing 250 cc	1	278,30
3	FE202.951	Rotary Valve Cover (Long) Cil. 2	1	163,60
4	FE202.950	Rotary Valve Cover Cil. 1	2	159,22
6	F196.712	Crankshaft Oil Seal Clutch Side 20/35/7	1	17,22
7	FE202.221	Primary Drive Gear Z21(Z63) 250 cc	1	87,68
9	F196.716	Front Sprocket Circlip 19 dia (Pull Chain)	1	0,41
10	F196.1516	Outrigger Bearing Nk 1516	1	19,64
12	FE202.263	Clutch Gear Z63(Z21) 250 cc	1	208,21
13	FE202.753	Clutch Gear Oil Seal 32/24/4	1	17,63
14	F196.027	Rotary Valve Steel	2	33,05
15	FE202.510	Screw M5X10	2	0,51
16	F196.723	Crankcase Screw M6x40	2	0,54
17	FE202.900	Crankcase Screw M6x35	5	0,54
18	FE202.962	Clutch Casing Screw M6x20	2	0,54
19	FE202.901	Rotary Valve Cover Screw M6x16	3	0,54
20	FE202.962	Clutch Casing Screw M6x20	1	0,54
21	F196.726	Crankcase/Cylinder Stud	4	2,98
22	FE202.552	Spacer Clutch Gear 25/55/3	1	11,13
23	FE202.688	Clutch Gear Oil Seal 60/70/7 (External)	1	17,63



Tav.4

FE203 250cc MOTOR

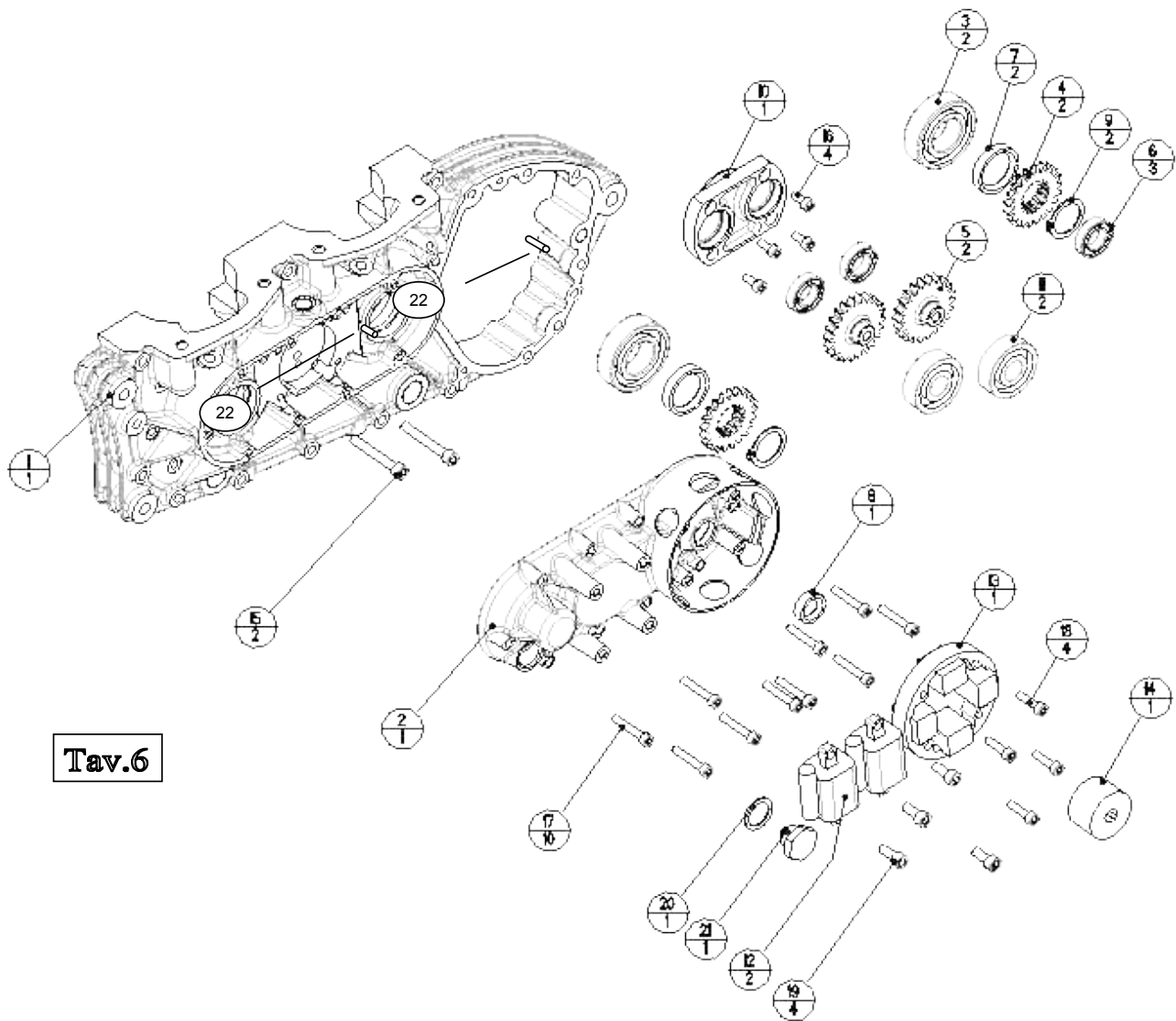
n°	Code	Description	Qty.	Price €
3-4	FE202.020-1	Crankshaft Complete with Rod, 250 cc, Cilynder #1	1	590,15
5-6	FE202.020-2	Crankshaft Complete with Rod, 250 cc, Cilynder #2	1	590,15
7	F196.20113	Connecting Rod 20x113mm	2	178,61
8	FE202.5400	Piston Kit Complete (Ring, Pin & Circlips)	2	95,60
9	F196.6205	Crankshaft Bearing 6205	4	27,01
10	F196.699	Piston Pin Circlip	4	0,48
11	F196.698	Piston Pin	2	10,50
12	F196.702	Crankshaft Pin (20mm)	2	23,10
13	F196.707	Silver Plated Crankshaft Pin Bearing (20mm)	2	49,07
14	F196.705	Silver Plated Thrust Washer (20mm)	4	10,32
15	F196.730	Piston Pin Bearing 15/19/20	2	17,00
16	F196.SEGM5400	Piston Ring	2	19,30



Tav.5

FE203 250cc MOTOR

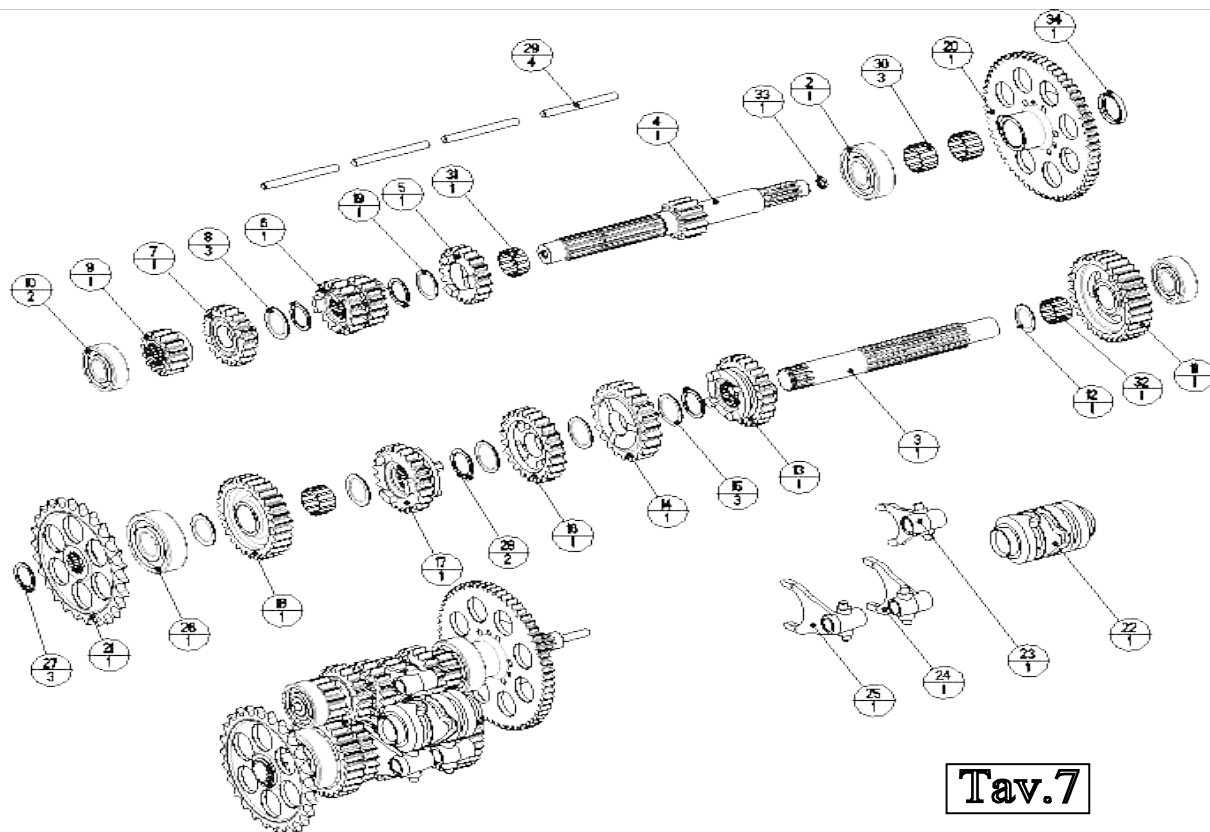
n°	Code	Description	Qty.	Price €
1	F196.764	Clutch Release Pad Circlip 10 dia.	1	0,16
2	F196.762	Clutch Release Pad Washer 10/28/1	3	10,50
3	FE202.515	Clutch Release Pad Thrust Bearing 10/24/2	1	5,78
4	F196.806	Clutch Release Pad 10/25/15	1	14,55
5	F196.202/E	Clutch Pressure Plate (CNC Machined)	1	112,00
6	F196.108	Plain Clutch Plate (Aluminium)	5	8,02
6	F196.769	Plain Clutch Plate (Steel)	5	8,02
7	F196.109	Clutch Friction Plate	5	9,05
8	F196.771	Clutch Nut M14x1.00	1	4,91
9	F196.960	Clutch Locktab	1	1,41
10	FE202.201/E	Clutch Centre Hub (CNC Machined) 2004	1	168,00
11	FE202.200/E	Clutch Drum (CNC Machined) 2004	1	189,41
12	FE202.263	Clutch Gear Z63(Z21) 250 cc	1	208,21
13	FE202.221	Primary Drive Gear Z21(Z63) 250 cc	1	87,68
14	FE202.752	Clutch Gear Needle Bearing 24/32/20	2	19,29
15	F196.959	Final Drive Thrust Washer 17/30/3	1	4,50
16	F196.716	Front Sprocket Circlip 19 dia (Pull Chain)	1	0,41
17	FE202.753	Clutch Gear Oil Seal 32/24/4	1	17,63
18	F196.961	Clutch Push Rod 6x20 (hardening)	3	2,30
19	F196.772	Clutch Spring Screw M5x35	5	1,77
20	F196.105	Clutch Spring	5	3,50
21	F196.962	Clutch Gear Screw M6x20	6	0,54
22	F196.773	Clutch Spring Washer	5	3,93



Tav.6

FE203 250cc MOTOR

n°	Code	Description	Qty.	Price €
1	FE202.102	Crankcase Ignition side Side 250 cc	1	715,00
2	FE202.105	Timing System Casing	1	253,00
3	F196.6205	Crankshaft Bearing 6205	1	27,01
4	FE202.880	Timing System Secondary Gear Z22	2	103,53
5	FE202.881	Timing System Primary Gear Z21	2	107,55
6	FE202.98202	Timing System Bearing 98202 37 mm	5	35,08
7	FE202.253	Oil Seal 25/35/7	2	17,80
8	F196.758	Gear Change Lever Oil Seal 22/12/7	1	6,07
9	FE202.023	Circlip dia. 23	2	0,52
11	FE202.6302	Timing System Bearing 6302 42 mm	4	9,75
12	FE202.796	Ignition Coil (Selettra) 250 cc	2	93,50
13	FE202.799	Ignition Selettra (Complete) 250 cc	1	669,94
14	FE202.080	Rotore Accensione 250cc	1	80,53
15	F196.724	Crankcase Screw M6x45	2	0,54
16	FE202.512	Screw M5X12	4	0,51
17	FE202.530	Crankcase Screw M6x30	10	0,51
18	F196.728	Ignition Stator Screw M5x20	4	0,54
19	F196.563	Rotary Valve Cover Screw M6x14	4	0,48
20	F196.562	Drain Plug Washer	1	0,48
21	F196.550	Oil Level Plug	1	3,12
22	FE202.410	Timing System Casing Pin 6X20 (hardening)	2	4,78



Tav.7

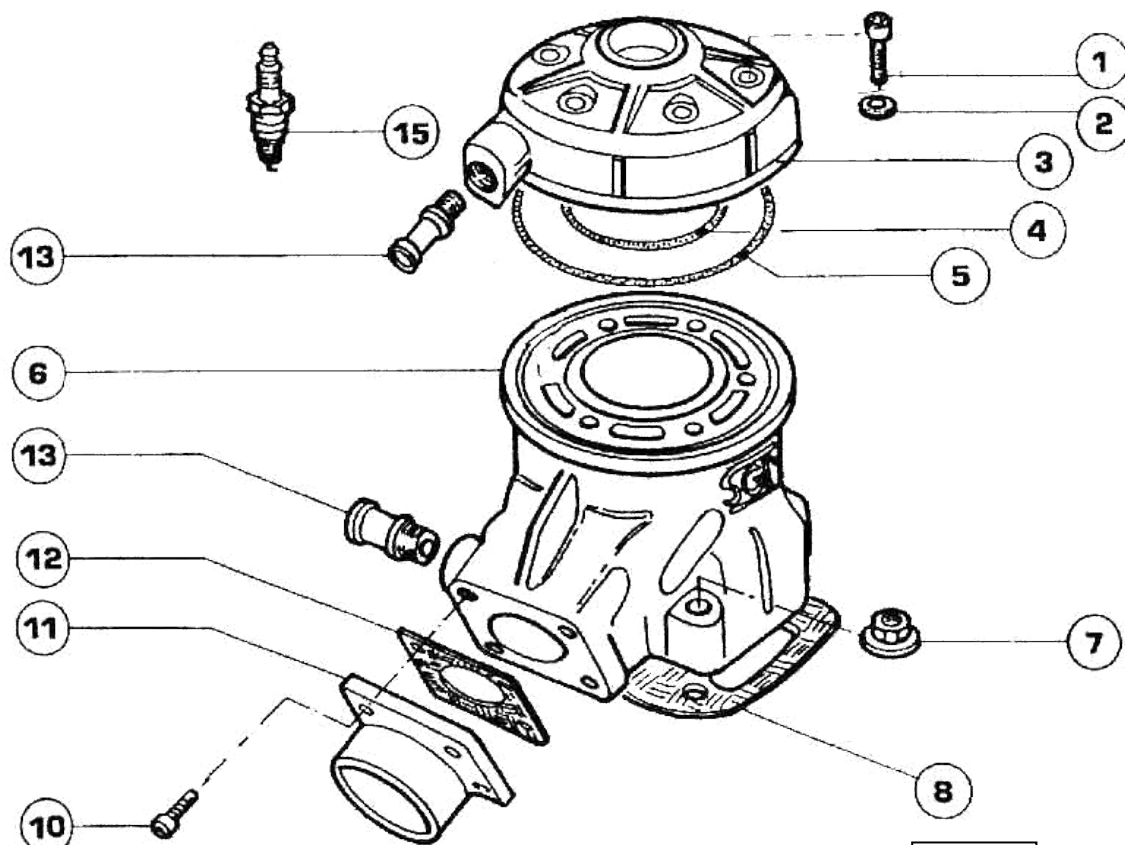
FE203 250cc GEARBOX

n°	Code	Description	Qty.	Price €
2	FE202.6304	Cog Weel Bearing 6304 (Pull Chain)	1	16,10
3	FE202.012	Output (secondary) Shaft 250 cc	1	106,77
4	FE202.001	Input (primary) Shaft (Z12) 250 cc	1	140,00
5	FE202.004	5th Gear Input Shaft Z19 250 cc	1	102,50
6	FE202.031	3rd/4th Gear Input Shaft Z16/16 250 cc	1	131,00
7	FE202.005	6th Gear Input Shaft Z20 250 cc	1	102,50
8	F196.745	Input Shaft Thrust Washer 20/28/1	3	2,36
9	FE202.002	2nd Gear Input Shaft Z14 250 cc	1	85,02
10	F196.6203N	Gearbox Input Shaft Bearing Ignition Side 6203	2	12,52
11	FE202.006	1st Gear Output Shaft Z32(Z12) 250 cc	1	102,50
12	F196.746	Output Shaft Thrust Washer 17/30/1	1	2,36
13	FE202.010	5th Gear Output Shaft Z24(Z19) 250cc	1	102,50
14	FE202.008	3rd Gear Output Shaft Z27(Z16) 250 cc	1	102,50
15	F196.744	Output Shaft Thrust Washer 22/28/1	3	2,36
16	FE202.009	4th Gear Output Shaft Z23(Z16) 250 cc	1	102,50
17	FE202.011	6th Gear Output Shaft Z23(Z20) 250 cc	1	102,50
18	FE202.007	2nd Gear Output Shaft Z29(Z14) 250 cc	1	102,50
20	FE202.263	Clutch Gear Z63(Z21) 250 cc	1	208,21
21	FE202.422	Front Sprocket Z22 (Pull Chain)	1	45,70
22	F196.019	Cam Barrel	1	71,00
23	F196.013	Selector Fork 3rd/4th Gear Input Shaft	1	53,81
24	F196.014	Selector Fork 5th Gear Output Shaft	1	55,79
25	F196.015	Selector Fork 6th Gear Output Shaft	1	58,65
26	F196.6204T	Gearbox Input Shaft Bearing Clutch Side 6204	1	13,33
24	FE202.716	Sprocket Circlip	3	0,45
29	F196.805	Clutch Push Rod 6x60 (hardening)	4	2,98
30	FE202.752	Clutch Gear Needle Bearing 24/32/20	3	19,29
31	F196.970	Input Shaft Needle Bearing 20/24/10	1	6,64
32	FE202.721	Output Shaft Neddle Bearing 17/21/13	1	6,37
33	F196.738	Input (Primary) Shaft Oil Seal 6/10/2	1	3,12
34	FE202.753	Clutch Gear Oil Seal 32/24/4	1	17,63

SPEED GEAR RATIO 250cc

PART No. Input Shaft	PART No. Output Shaft	Description GEARBOX STD L198	GEAR RATIO Input shaft	STAMP.	GEAR RATIO Output shaft
FE202.001	FE202.006	1st GEAR	12		32
FE202.002	FE202.007	2nd GEAR	14		29
FE202.031	FE202.008	3rd GEAR	16		27
FE202.031	FE202.009	4th GEAR	16		23
FE202.004	FE202.010	5th GEAR	19		24
FE202.005	FE202.011	6th GEAR	20		23

PART No. Clutch Gear	PART No. Primary drive	Description FINAL DRIVES	GEAR RATIO Clutch gear	STAMP.	GEAR RATIO Primary drive
FE202.263	FE202.221		63		21



Tav.8

MOTORE FE203 (BICILINDRICO 250 cc)

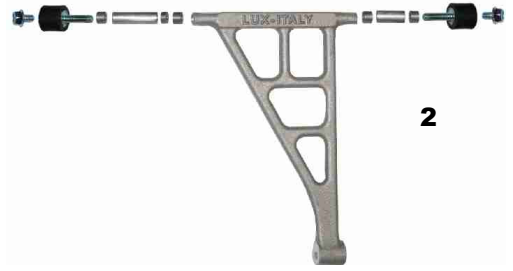
n°	Code	Description	Qty.	Price €
1	F196.731	Cylinder Head Screw M8x40	6x2	2,86
2	F196.732	Cylinder Head Washer	6x2	0,36
3	F196.800A	Cylinder Head With Aluminium Insert (F196/L198)	1x2	196,58
	F196.800IA	Aluminium Cylinder Head Insert F196/L198	1x2	53,17
4	F196.734	Cylinder O Ring 2237/2257 Internal	1x2	3,52
5	F196.735	Cylinder O Ring 2400 External	1x2	3,39
6	FE202.100	Cylinder (Standard) 250 cc	1x2	870,00
6	FE202.100SP	Cylinder (Set Up) 250 cc	1x2	1.000,00
7	F196.733	Cylinder Base Nut	4x2	3,11
8	F196.020-010	Cylinder Base Gasket 0.1mm	1x2	1,50
8	F196.020-020	Cylinder Base Gasket 0.2mm	1x2	1,50
8	F196.020-030	Cylinder Base Gasket 0.3mm	1x2	1,50
8	F196.020-040	Cylinder Base Gasket 0.4mm	1x2	2,00
8	F196.020-050	Cylinder Base Gasket 0.5mm	1x2	2,00
10	F196.736	Exsaust Manifold Screw M6x16	4x2	0,54
11	FE202.504-1	Exsaust Manifold Cil. 1	1	35,25
11	FE202.504-2	Exsaust Manifold Cil. 2	1	35,25
12	F196.502	Exhaust Manifold Gasket	1	2,30
13	F196.615	Water Hose Fitting (Short)	2x2	8,27
15	CAND.B	Spark Plug Bosch	1x2	9,35
15	CAND.CHAMP53	Spark Plug Champion 53	1x2	17,20
15	CAND.CHAMP	Spark Plug Champion C53Vc	1x2	62,62
15	NGK105C	Spark Plug NGK 105 Short	1x2	95,37
15	NGKB10EG	Spark Plug NGK B10EG	1x2	9,35



1



1



2



3



4



4



5



6



7



8

LUX RADIATOR

n°	Code	Description	Price €
1	LUX.XL01	LUX Radiator, XL	380,00
2	LUX.XL11	Upper Mount, Complete, XL LUX Radiator	25,00
3	LUX.XL12	Lower Mount, Complete, XL LUX Radiator	20,00
4	LUX.M01	LUX Radiator, Medium Size	330,00
5	LUX.M11	Upper Mount, Complete, Medium LUX Radiator	20,00
6	LUX.M12	Lower Mount, Complete, Medium LUX Radiator	16,00
7	LUX.P01	LUX Radiator, Small, Curved	130,00
8	LUX.T	Radiator CAP, LUX	8,00



1



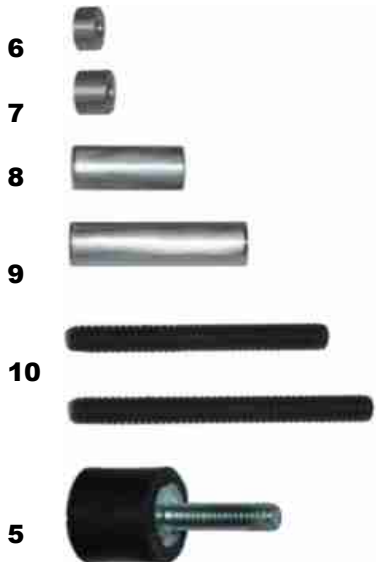
1



2



3



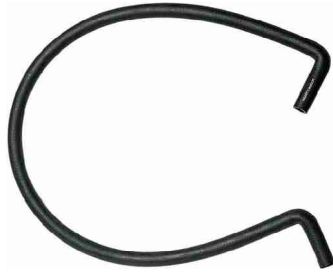
4

LUX RADIATOR

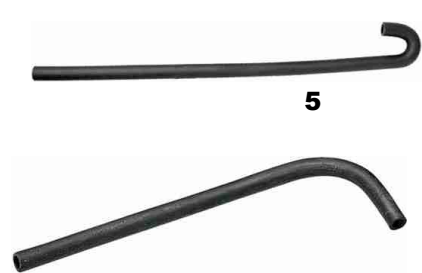
n°	Code	Description	Price €
1	LUX.E01	LUX Radiator, Medium Size, Economy	250,00
2	LUX.E11	Upper Mount, Complete, Economy LUX Radiator	20,00
3	LUX.E12	Lower Mount, Complete, Economy LUX Radiator	16,00
4	LUX.T01	Adjustable Screen for LUX Radiator	50,00
5	LUX.A	Silent-Block, Radiator Mount	3,35
6	VXB05012	Alluminium Bushing 5X12	1,15
7	VXB08012	Alluminium Bushing 8X12	1,25
8	VXB025012	Alluminium Bushing 25X12	2,00
9	VXB040012	Alluminium Bushing 40X12	2,50
10	VXG06035	Grub Screw 6X35	0,75
10	VXG06040	Grub Screw 6X40	0,88
10	VXG06045	Grub Screw 6X45	1,35
10	VXG06055	Grub Screw 6X55	2,15
10	VXG06070	Grub Screw 6x70	2,50



7



4



5



6



2



3



8



1



1

LUX RADIATOR

n°	Code	Description	Price €
1	SL204.902	SGM Water Pump, 2011	74,00
2	F196.904/4550	Water Pump Pulley (hole 40/50mm)	40,30
3	F196.791	Water Pump O Ring 4550/4662	4,20
4	VX561.2L	Pipe with Dual Bend 90° fot Water Radiator	27,50
5	VX561.U	Pipe with a Bend 180° fot Water Radiator	15,00
6	VX561.L	Pipe with a Bend 90° fot Water Radiator	15,00
7	F196.792	Water Pipe Mt	14,00
8	SL207.411	Water Hose Wrapper	4,20

OTHER PARTS		
Code	Description	Price €
OM909	Premix Oil ELF 909 HTX	30,50
OM976	Premix Oil ELF 976 HTX	30,50
ATTR.FAS.	Rotary Valve Setting Tooling	31,42
ATTR.PAR.	Oil Seal Saving Tool	67,70
F196.964	Carburettor 30 Union	7,60
NGK105C	Spark Plug NGK 105 Short	95,37
F196.602	Carb.Dell'OrtoVHSB39ND (No Prapared)	240,12
F196.602/9790	Carb.Dell'OrtoVHSB39ND (Special Polished)	356,40
F196.906	Carb.Dell'OrtoVHSC39,5ND (Special)	737,50
L198.600	Carbur.Dell'Orto PHBE 30HS	155,00
F196.787	Carbur.Dell'Orto PHBE 36HS	157,14
F196.601	Carbur.Dell'Orto PHSB 38LD	226,60
F196.30MS	Dellorto Carburettor, VHSA 30 ES	132,00
F196.787RD	Carbur.Dell'Orto VHSB 36 RD	309,00
L198.612CS	Carbur.Dell'Orto VSHS 30 CS with SGM Setup	245,00
L198.612CS Spec	Carbur.Dell'Orto VSHS 30 CS Special with SGM Setup	330,00
SL207.HB27	Carburettor Tryton HB 27	181,63
F196.567	Silencer Glass Wool	25,87
F196.780	Pull Chain Regina Oro mt.	60,64
F196.713	Rotary Valve Carrier and Nut Wrench	16,96
F196.999	Sprocket Aluminium (Pull Chain)	68,14
F196.421	Sprocket Z21 (Pull Chain)	52,41
F196.422	Sprocket Z22 (Pull Chain)	52,41
F196.423	Sprocket Z23 (Pull Chain)	52,41
F196.424	Sprocket Z24 (Pull Chain)	52,41
F196.425	Sprocket Z25 (Pull Chain)	52,41
F196.426	Sprocket Z26 (Pull Chain)	52,41
F196.427	Sprocket Z27 (Pull Chain)	52,41
F196.428	Sprocket Z28 (Pull Chain)	52,41
F196.429	Sprocket Z29 (Pull Chain)	52,41
F196.430	Sprocket Z30 (Pull Chain)	52,41
VXSKBBYA40	ConCentra SKF Bearing, 40 mm Kart Axle, Steel	93,00
VXSKBBYA50	ConCentra SKF Bearing, 50 mm Kart Axle, Steel	105,60
VXSKBBYC40	ConCentra SKF Bearing, 40 mm Kart Axle, Ceramic	144,00
VXSKBBYC50	ConCentra SKF Bearing, 50 mm Kart Axle, Ceramic	163,25
F196.717	Carburettor Hose Clamp	2,99
F196.774	Gasoline Filter	9,08
F196.610	Floating Valve (Carburettor)	18,00
SL204.605	Air Blast Max. Exterior (Carburettor VHSH 30 BS)	3,90
SL204.604	Air Blast Min. Interior (Carburettor VHSH 30 BS)	3,90
F196.604	Air Blast Max. (Carburettor)	1,95
F196.603	Air Blast Min. (Carburettor)	1,45
F196.605	Carburettor Gasket	3,39
LAPPATURA	Cylinder Hone	20,00
F196.790/R	Chain Link Regina	4,67
F196.111	Water Hose-coupling	17,20
F196.793	Carburettor VHSB 39ND Return Spring Valve	3,30
F196.791	Water Pump O Ring 4550/4662	4,20
PA05.6227	Water Pump Oil Seal 6/22/7	4,41
F196.024	Exhaust Spring Holder	2,58
F196.775AB	Dell'Orto Atomizer, AB	4,50
F196.775AR	Dell'Orto Atomizer, AR	4,50
F196.608BH	Dell'Orto Atomizer, BH	5,70
F196.608BM	Dell'Orto Atomizer, BM	5,75
POLVERIZZ.	Sprayer "Dell'Orto" DP	6,50
POLVERIZZ.	Sprayer "Dell'Orto" DQ	6,50
SL204.902	SGM Water Pump, 2011	74,00
F196.903	Water Pump (Special - Dual)	125,00

OTHER PARTS		
Code	Description	Price €
F196.606	Fuel Pump Dell'Orto	41,63
F196.650	Fuel Pump Mikuni	60,00
PREP.	Carburettor Set Up	91,00
SL204.615	Water Hose Fitting (Medium)	8,71
F196.614	Gasoline T-piece Union	4,09
F196.777	Gasoline Y-piece Union	4,09
F196.810	Water Hose Fitting Rubber (Crankcase/Cylinder)	13,87
RICR.RIPARAZ.	Re-chromiun Plating and Welding (Cylinder)	218,04
RICROMATURA	Re-chromiun Plating (Cylinder)	174,08
F196.305	Ignition Rotor (PVL)	85,38
L198.5137	Silencer Elto (omologa) All.	135,39
F196.609D	Carburettor Pin (D) "Dell'Orto"	3,91
F196.609	Carburettor Pin (K) "Dell'Orto"	3,91
F196.609U	Carburettor Pin (U) "Dell'Orto"	3,80
F196.776	Carburettor Pin (Special SK)	35,13
F196.782	Cooler Water Mouting (Chromate)	39,87
F196.304	Ignition Stator PVL	92,39
F196.611	Carburettor Cap	4,93
SL204.550	Oil Level Plug SL204	3,12
F196.617/30	Fuel-Air Valve Carbur. PHBE 30 HS	39,10
F196.617/38	Fuel-Air Valve Carbur. PHSB 38 LD	42,55
FE202.617/39	Fuel-Air Valve Carbur. VHSH 39	59,80
F196.617S	Fuel-Air Valve Carbur. VHSH 39,5 Spec.	310,00
SL204.617/30	Fuel-Air Valve Carbur. VHSH 30 BS	70,00
L198.617/30	Fuel-Air Valve Carbur. VHSH 30 HS	56,00
F196.607	Needle Valve, VHSH 30 CS Carburettor	9,90
	FLEXIBLE COUPLING CLUTCH	
SL204.728	Cush Drive Clutch, Allen Bolt, M5x12	1,17
SL204.200	Cush Drive Clutch Basket	167,38
SL204.205	Clutch Centre Hub Stud Bolt	6,90
SL204.564	Cush Clutch Drive Silentblock	1,17
SL204.201	Cush Drive Clutch Hub (Drum)	168,00
SL204.203	Cush Drive Clutch Aluminium Silentblock Plate	101,75
SL204.519	Cush Drive Clutch, Iron Screw Plate	17,54
SL204.850	Cush Drive Clutch, Hardened Pin, 6x25	2,68

The Price List could be integrated with further update concerning gear box parts

Prices are per ex-factory deliver

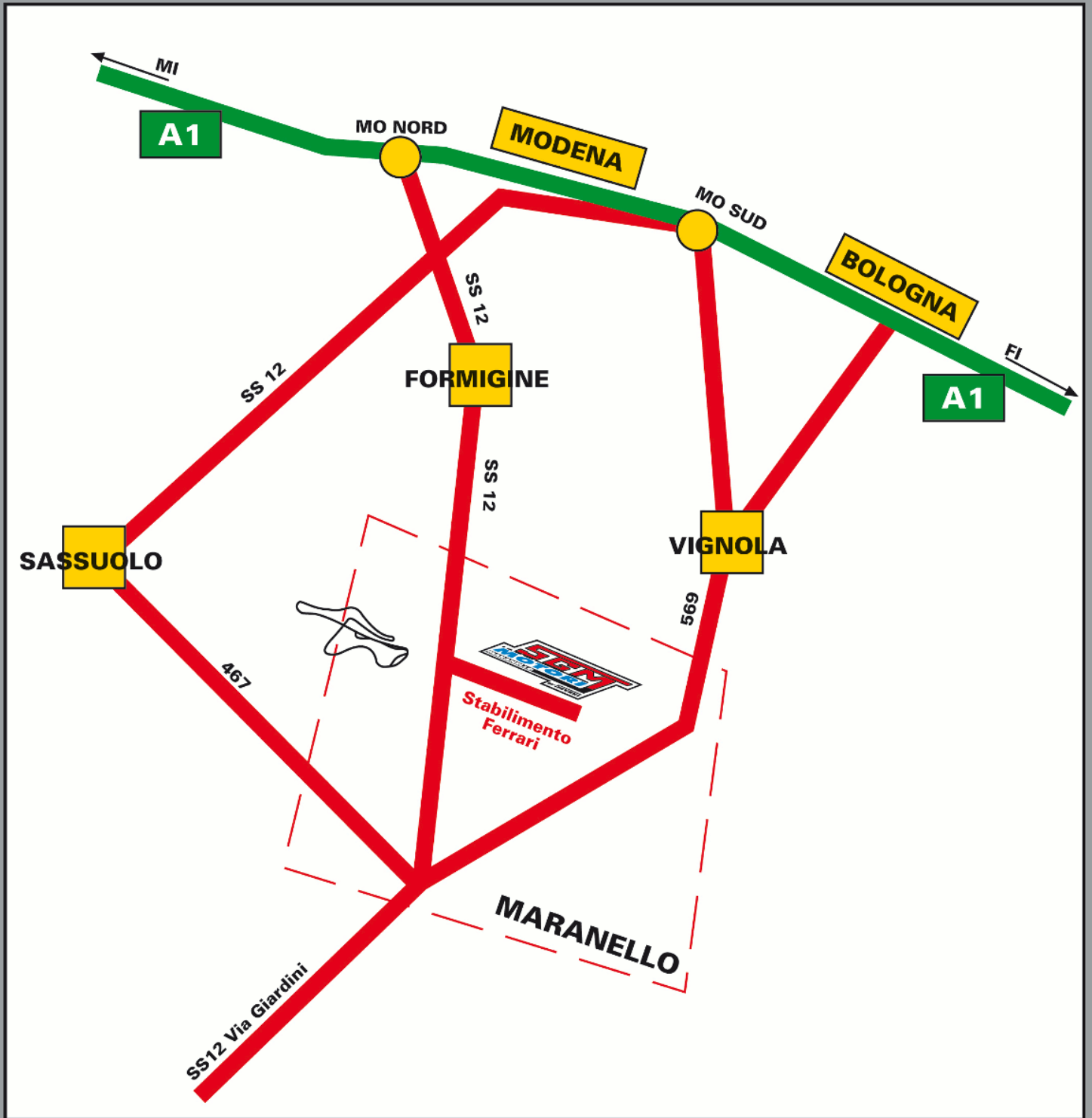
Prices and details mentioned in this Price-List are not binding

Due to value and raw materials availabilities problemes, prices can increased without notice

ADVERTISING MATERIALS

T-Shirt, Shirt, Plush Sweater, Wind-Cheater Stickers (Small-Medium-Large)

Any discount for authorized Dealer have to be agreed at the moment of the order



Via Musso, 35 - 41053 Maranello (Mo) - Italy

Tel. 0536/94.02.34 - Fax 0536/94.40.95

www.sgm-engines.com e-mail: severi.sgm@tiscalinet.it



Via Musso, 35 - 41053 Maranello (Mo) - Italy

Tel. 0536/94.02.34 - Fax 0536/94.40.95

www.sgm-engines.com e-mail: severi.sgm@tiscalinet.it